

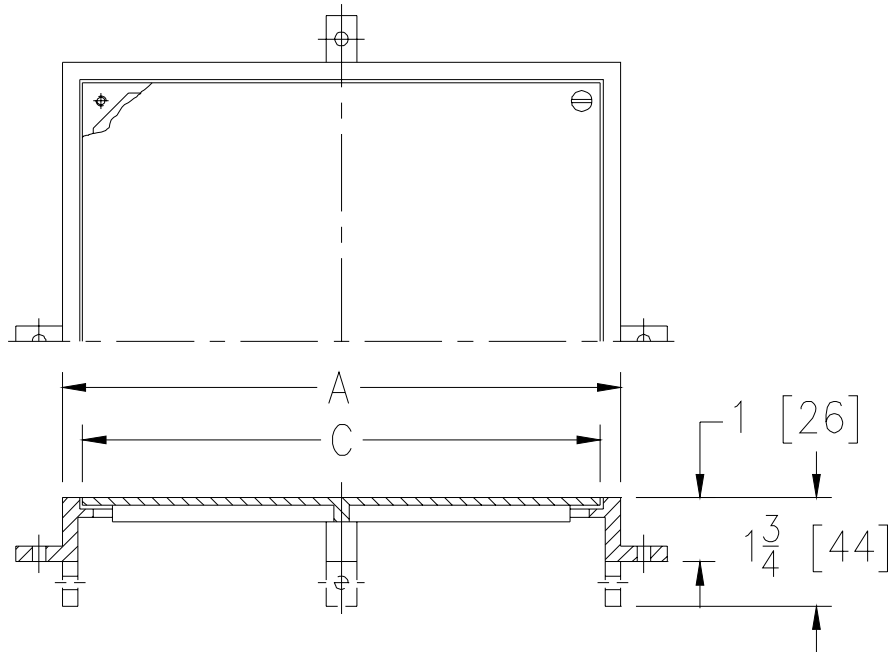


Z1460

TAG _____

SQUARE WALL ACCESS COVER

Dimensional Data (inches and [mm]) are Subject to Manufacturing Tolerances and Change Without Notice



Product Designation	Dimensions In Inches		Approx. Wt. Lbs. [kg]
	A Frame Size	C Opening Size	
-7	7 x 7 [178 x 178]	6 x 6 [152 x 152]	3 [1]
-9	9 x 9 [229 x 229]	8 x 8 [203 x 203]	5 [2]
-10	10 x 10 [254 x 254]	9 x 9 [229 x 229]	7 [3]
-11	11 x 11 [279 x 279]	10 x 10 [254 x 254]	10 [5]

ENGINEERING SPECIFICATION:

ZURNZANB1460

Square wall access panel and frame. Smooth, stainless steel panel secured to nickel bronze frame, set flush to finished wall plane, complete with securing lugs.

OPTIONS (Check/specify appropriate options)

PREFIXES

- ___ ZAB Bronze with Polished Cover
- ___ ZANB Nickel Bronze with Polished Stainless Steel Cover*

SUFFIXES

- ___ -SC Scoriated Cover
- ___ -TX Square Cover Recessed for Tile (6 x 6 [152 x 152] and 8 x 8 [203 x 203] only)
- ___ -VP Vandal-Proof Screws

REV. F	DATE: 11/05/10	C.N. NO. 120275
DWG. NO. 58775	PRODUCT NO. Z1460	

*REGULARLY FURNISHED UNLESS OTHERWISE SPECIFIED