



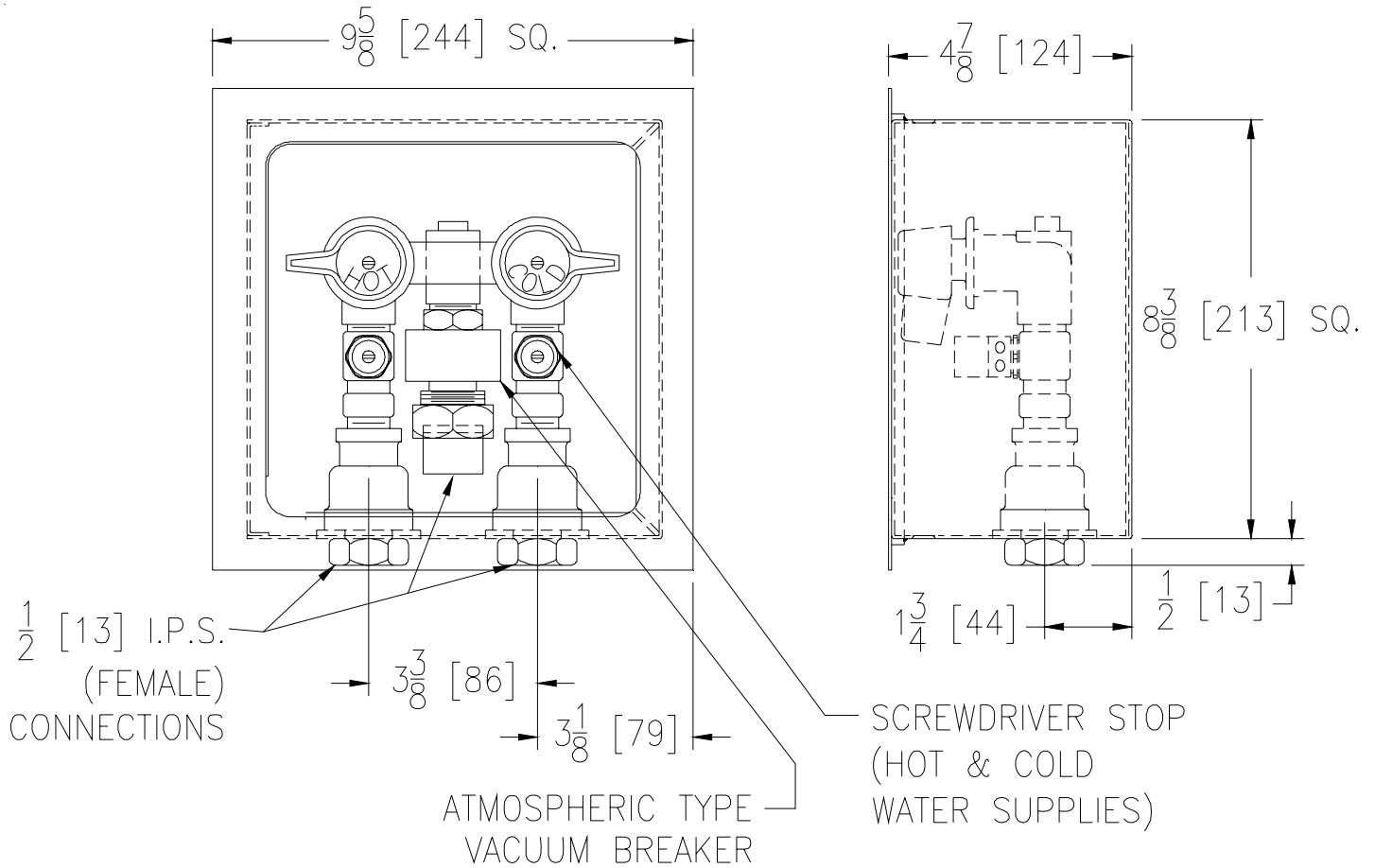
Z1464

SPECIFICATION SHEET

WATER SUPPLY CONTROL BOX ASSEMBLY

TAG _____

Dimensional Data (inches and [mm]) are Subject to Manufacturing Tolerances and Change Without Notice



A Opening Size	Approx. Wt. Lbs. [kg]
8-1/2 x 8-1/2 [216 x 216]	17 [8]

ENGINEERING SPECIFICATION: ZURN ZS1464

Water supply control box assembly, 18-8 type 304 stainless steel with cylinder lock and hinged cover, bronze control valves, screwdriver stops and atmospheric type vacuum breaker.

OPTIONS (Check/specify appropriate options)

OPENING SIZE **DEPTH**
 8-1/2 [216] Sq. 4-7/8 [124]

PREFIXES
 ____ ZS Type 304 Stainless Steel*

SUFFIXES
 ____ -LM Less Internal Mixing Valve Assembly

REV. F	DATE: 11/08/10	C.N. NO. 120279
DWG. NO. 58779	PRODUCT NO. Z1464	

*REGULARLY FURNISHED UNLESS OTHERWISE SPECIFIED