



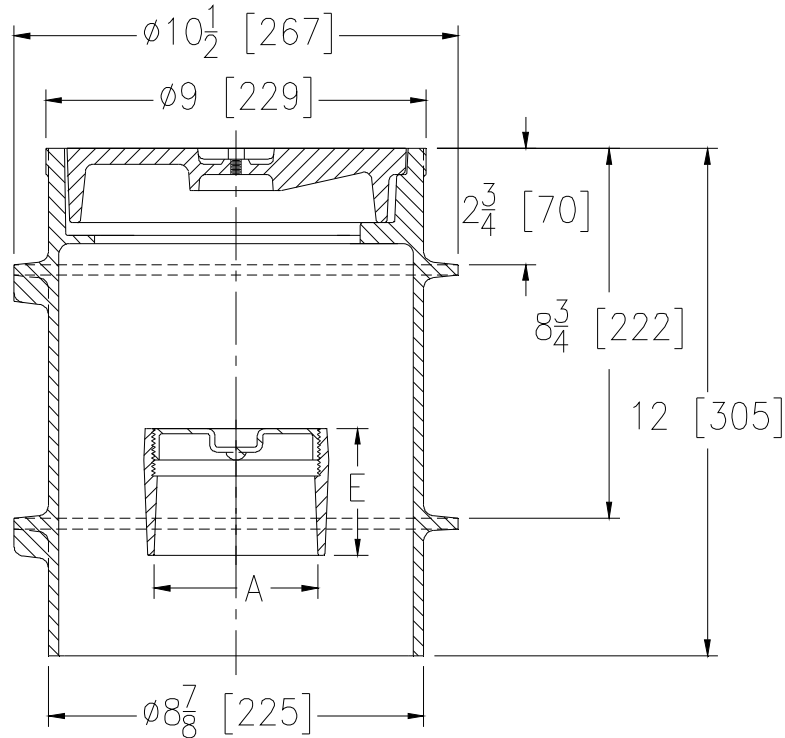
Z1474-N

HEAVY DUTY CLEANOUT HOUSING W/ Z1440 INTERNAL CLEANOUT

SPECIFICATION SHEET

TAG _____

Dimensional Data (inches and [mm]) are Subject to Manufacturing Tolerances and Change Without Notice



Dimensions In Inches		Approx. Wt. Lbs. [kg]
A-Pipe Size	E	
2 [51]	2-1/2 [64]	42 [19]
3 [76]	2-3/4 [70]	44 [10]
4 [102]	3 [76]	45 [20]
5 [127]	3 [76]	47 [21]
6 [152]	3 [76]	48 [22]

ENGINEERING SPECIFICATION: ZURNZ1474-N

Heavy Duty Cleanout Housing. Dura-Coated cast iron body with integral anchor flange, secured scoriated cover with lifting device with internal Z1440 Cleanout.

OPTIONS (Check/specify appropriate options)

PREFIXES

- ___ Z Dura-Coated Cast Iron*
- ___ ZB D.C.C.I. with Polished Bronze Cover (Add 3/16 [5] to 12 [305] Dim. & 3/4 [19] to 9 [229] Dim.)
- ___ ZN D.C.C.I. with Polished Nickel Bronze Cover (Add 3/16 [5] to 12 [305] Dim. & 3/4 [19] to 9 [229] Dim.)

SUFFIXES

- ___ -A Raised Head Plug (Cleanout only)
- ___ -BP Bronze Plug (Cleanout only)
- ___ -DC Duresist Cover (Housing only)
- ___ -G Galvanized Cast Iron
- ___ -SG Solid Gasketed Cover (Housing only)
- ___ -VP Vandal-Proof Screw (Housing only)

REV. -	DATE: 9/3/10	C.N. NO. 111665
DWG. NO. 302211 PRODUCT NO. Z1474-N		

*REGULARLY FURNISHED UNLESS OTHERWISE SPECIFIED