

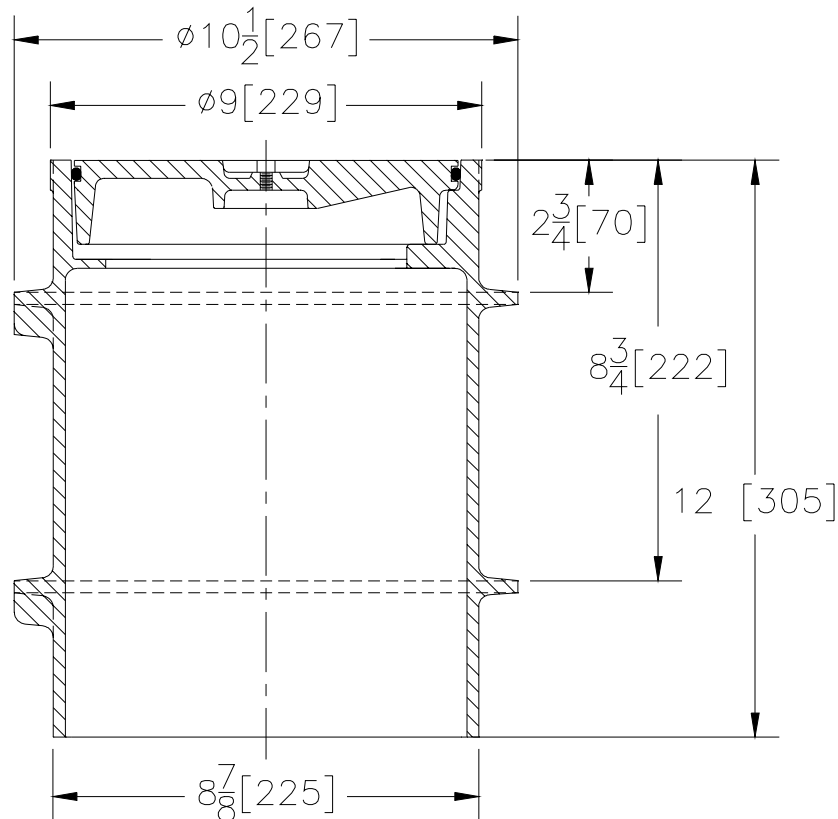


# Z-1474-SG

## HEAVY DUTY CLEANOUT HOUSING WITH SOLID GASKETED COVER

TAG \_\_\_\_\_

Dimensional Data (inches and [ mm ]) are Subject to Manufacturing Tolerances and Change Without Notice



A Pipe Size Inches	Approx. Wt. Lbs [kg]
8 3/8 [213]	40 [18]

**ENGINEERING SPECIFICATION: ZURN Z-1474-SG**

Heavy Duty Cleanout Housing. Dura-Coated cast iron body with integral anchor flange, secured scoriated solid gasketed cover with lifting device.

**OPTIONS** (Check/specify appropriate options)

**PREFIXES**

- \_\_\_ Z- D.C.C.I. Body and Cover\*
- \_\_\_ ZB- D.C.C.I. Body and Cover with Polished Bronze Cover (Add 3/16 [5] to 2 3/4 [70] Dim. & 5/8 [16] to 9 [229] Dim.)
- \_\_\_ ZN D.C.C.I. with Polished Nickel Bronze Top (Add 3/16 [5] to 2 3/4 [70] Dim. & 5/8 [16] to 9 [229] Dim.)

**SUFFIXES**

- \_\_\_ -DC Duresist Cover
- \_\_\_ -G Galvanized Cast Iron
- \_\_\_ -IN With Internal Cleanout (See Z-1403) (2 thru 4, 6 [50 thru 100, 150] Sizes)
- \_\_\_ -VP Vandal Proof Secured Top

\*REGULARLY FURNISHED UNLESS OTHERWISE SPECIFIED

REV.	DATE: 4/29/96	C.N. NO. 75010
DWG. NO. 60909	PRODUCT NO. Z-1474-SG	