



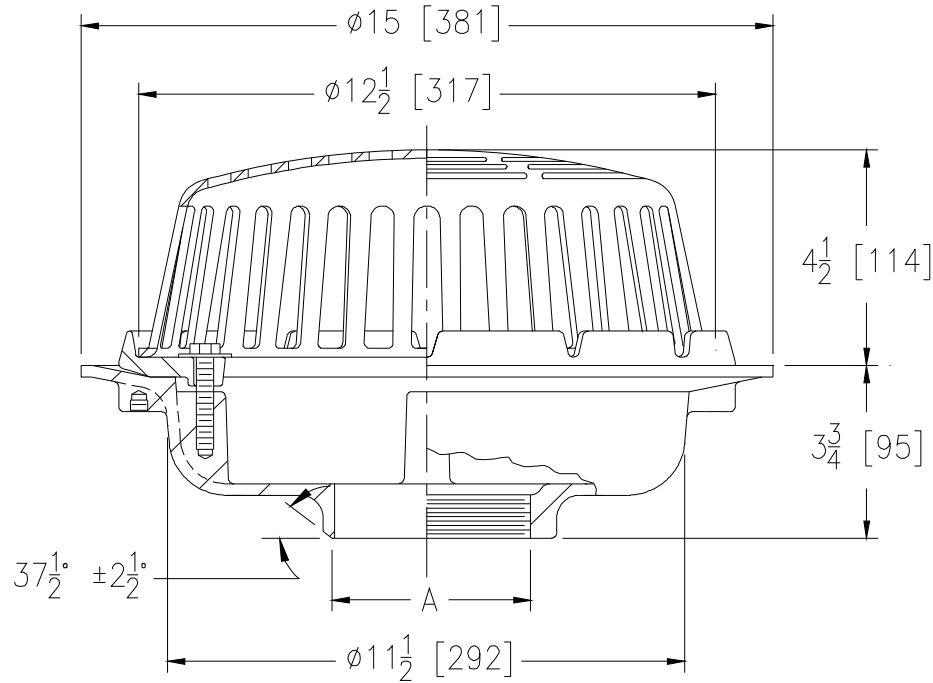
Z1715

15 [381] DIAMETER ROOF DRAIN

SPECIFICATION SHEET

TAG _____

Dimensional Data (inches and [mm]) are Subject to Manufacturing Tolerances and Change Without Notice



A Pipe Size	Approx. Wt. Lbs. [kg]	Dome Open Area Sq. In. [cm ²]
3-4 [76-102]	52 [24]	112 [723]
6 [152]	54 [24]	

ENGINEERING SPECIFICATION: ZURN Z1715 Type 304 (CF8) stainless steel roof drain body with galvanized cast iron combination gravel guard/ flashing clamp and dome strainer.

OPTIONS (Check/specify appropriate options)

PIPE SIZE

3-4-6 [76-102-152]

3-4 [76-102]

(Specify size/type) **OUTLET**

___ BW Butt-weld
(Specify Schedule 10,40 or 80)

___ IP Threaded

PREFIXES

- ___ Z Type 304 (CF8) Stainless Steel Body*
- ___ ZM Type 316 (CF8M) Stainless Steel Body

SUFFIXES

- ___ -C Galvanized Underdeck Clamp
- ___ -DP Top-Set® Deck Plate (Replaces both the -C and -R)
- ___ -E Galvanized Extension (Specify Height from 1 - 4 [25 - 102])
- ___ -R Galvanized Steel Sump Receiver
- ___ -VP Vandal-Proof Secured Top

REV. D	DATE: 11/15/10	C.N. NO. 120381
DWG. NO. 59286		PRODUCT NO. Z1715

*REGULARLY FURNISHED UNLESS OTHERWISE SPECIFIED