



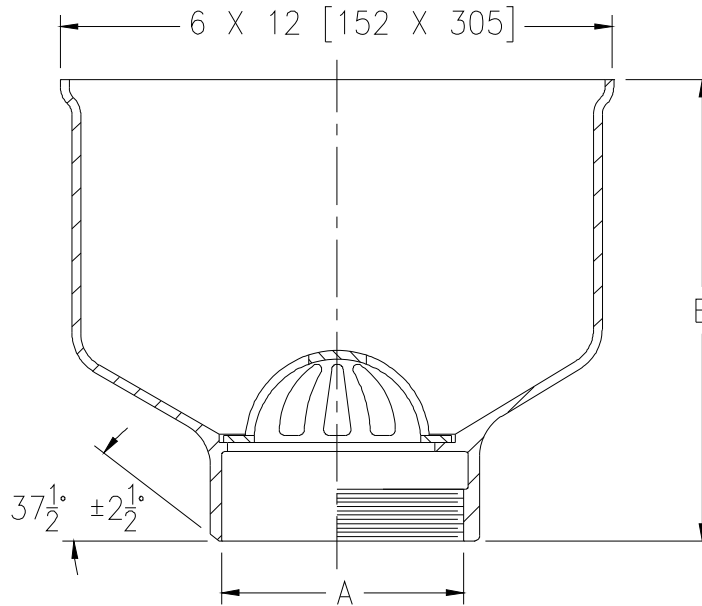
Z1721

6 X 12 [152 X 305] OPEN SIGHT DRIP DRAIN

SPECIFICATION SHEET

TAG _____

Dimensional Data (inches and [mm]) are Subject to Manufacturing Tolerances and Change Without Notice



A- Pipe Size In.	Approx. Wt. Lbs. [kg]
3-4-6[76-102-152]	30 [14]

ENGINEERING SPECIFICATION: ZURN Z1721

6 x 12 [152 x 305] Open sight drip drain with Type 304 (CF8) stainless steel body and integral aluminum bottom dome strainer, all with plain finish.

OPTIONS (Check/specify appropriate options)

PIPE SIZE

3-4-6[76-102-152]

3-4-6[76-102-152]

3-4-6[76-102-152]

(Specify size/type) **OUTLET**

- ___ BW Butt-Weld
(Specify Schedule 10, 40 or 80)
- ___ IC Inside Caulk
- ___ IP Threaded

'E' BODY HT. DIM.

10 [254]

10-1/2 [268]

10 [254]

PREFIXES

- ___ Z Type 304 (CF8) Stainless Steel Body*
- ___ ZM Type 316 (CF8M) Stainless Steel Body

SUFFIXES

- ___ -DB Stainless Steel Dome Bottom Strainer
- ___ -FG Flush Grate
- ___ -K Anchor Flange
- ___ -KC Anchor Flange with Seepage Holes and Clamp Collar
- ___ -30 Bronze Closure Plug
- ___ -31 Plastic Closure Plug
- ___ -33 Type 304 Stainless Steel Closure Plug
- ___ -34 Bronze Closure Plug with 3/4 [19] Test Plug

REV. D	DATE: 11/15/10	C.N. NO. 120385
DWG. NO. 59290	PRODUCT NO. Z1721	

*REGULARLY FURNISHED UNLESS OTHERWISE SPECIFIED