



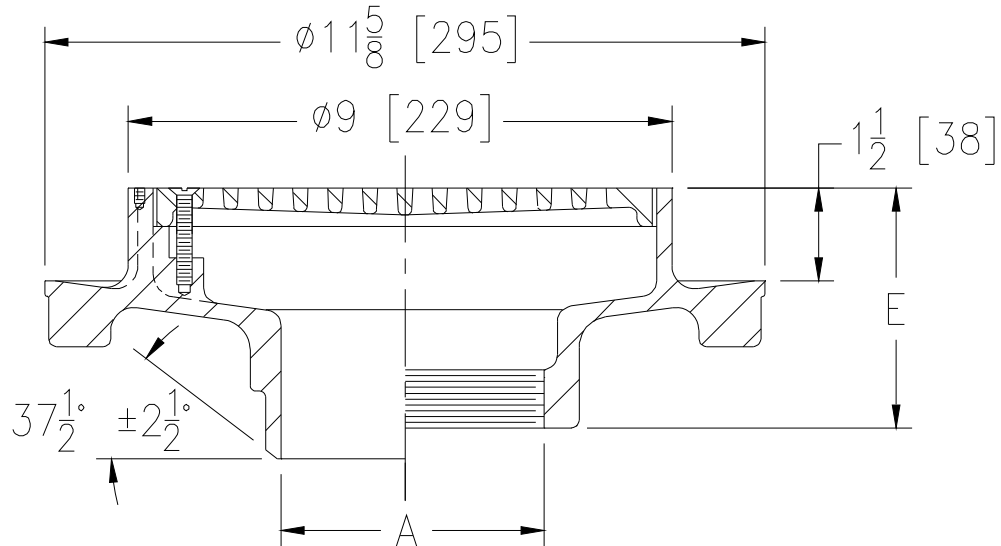
Z1730

9 [229] DIAMETER FLOOR DRAIN SHALLOW TYPE

SPECIFICATION SHEET

TAG _____

Dimensional Data (inches and [mm]) are Subject to Manufacturing Tolerances and Change Without Notice



| A Pipe Size | Approx. Wt. Lbs. [kg] | Grate Open Area Sq. In. [cm ²] |
|-------------------|-----------------------------|--|
| 2-3-4 [51-76-102] | 20 [9] | 21 [135] |

ENGINEERING SPECIFICATION: ZURN Z1730

9 [229] Diameter shallow type heavy-duty floor drain, all Type 304 (CF8) stainless steel with integral anchor flange, and non-tilt grate with plain finish.

OPTIONS (Check/specify appropriate options)

PIPE SIZE

2-3-4 [51-76-102]

2-3-4 [51-76-102]

2-3-4 [51-76-102]

(Specify size/type) **OUTLET**

- _____ BW Butt-Weld
(Specify Schedule 10, 40 or 80)
- _____ NH No-Hub
- _____ IP Threaded

'E' BODY HT. DIM.

- 4-13/16 [122]
- 4-13/16 [122]
- 4-13/16 [122]

PREFIXES

- _____ Z Type 304 (CF8) Stainless Steel Body*
- _____ ZM Type 316 (CF8M) Stainless Steel Body

SUFFIXES

- _____ -K Seepage Holes Only
- _____ -KC Clamp Collar with Seepage Holes
- _____ -SC Solid Secured Cover
- _____ -SF Satin Finish Top
- _____ -TS Top Secured with Slotted Screws
- _____ -VP Vandal-Proof Secured Top
- _____ -30 Bronze Closure Plug
- _____ -31 Plastic Closure Plug
- _____ -33 Type 304 (CF8) Stainless Steel Closure Plug
- _____ -34 Bronze Closure Plug with 3/4 [19] Test Plug

| | | |
|----------------|-------------------|-----------------|
| REV. E | DATE: 11/15/10 | C.N. NO. 120391 |
| DWG. NO. 59295 | PRODUCT NO. Z1730 | |

*REGULARLY FURNISHED UNLESS OTHERWISE SPECIFIED