



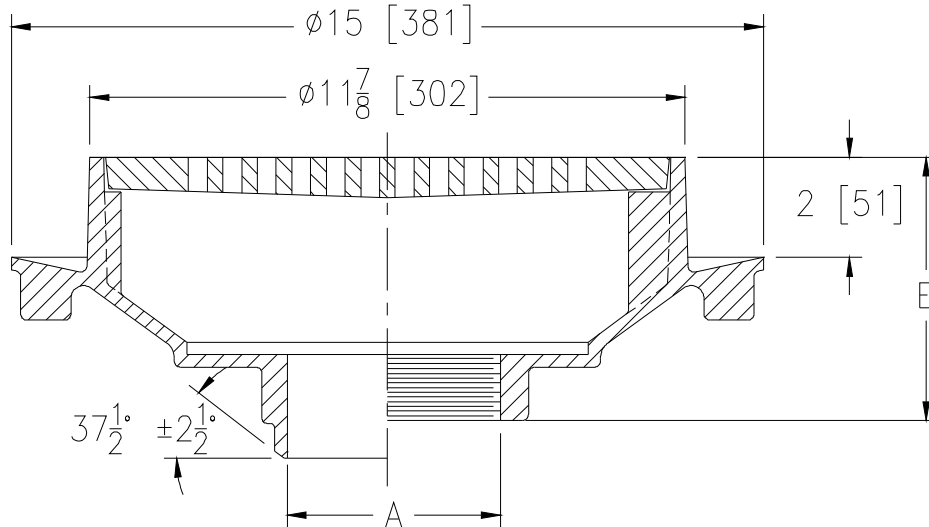
Z1735

12 [305] DIAMETER FLOOR DRAIN

SPECIFICATION SHEET

TAG _____

Dimensional Data (inches and [mm]) are Subject to Manufacturing Tolerances and Change Without Notice



A Pipe Size In.	Approx. Wt. Lbs. [kg]	Grate Open Area Sq. In. [cm ²]
3-4 [76-102]	50 [23]	33 [213]
6 [152]	54 [24]	

ENGINEERING SPECIFICATION: ZURN Z1735

12 [305] Diameter heavy-duty floor drain, All Type 304 (CF8) stainless steel body with integral anchor flange, and non-tilt grate with plain finish.

OPTIONS (Check/specify appropriate options)

PIPE SIZE

3-4-6 [76-102-152]

(Specify size/type) **OUTLET**

____ BW Butt-weld
(Specify Schedule 10, 40 or 80)
____ IP Threaded

'E' BODY HT. DIM.

6 [152]

3-4-6 [76-102-152]

5 1/4 [133]

PREFIXES

- ____ Z Type 304 (CF8) Stainless Steel Body*
- ____ ZM Type 316 (CF8M) Stainless Steel Body

SUFFIXES

- ____ -K Seepage Holes Only
- ____ -KC Clamp Collar with Seepage Holes
- ____ -SF Satin Finish Top
- ____ -TS Top Secured with Slotted Screws
- ____ -VP Vandal-Proof Secured Top
- ____ -30 Bronze Closure Plug
- ____ -31 Plastic Closure Plug
- ____ -33 Type 304 (CF8) Stainless Steel Closure Plug
- ____ -34 Bronze Closure Plug with 3/4 [19] Test Plug

REV. D	DATE: 11/15/10	C.N. NO. 120395
DWG. NO. 59298	PRODUCT NO. Z1735	

*REGULARLY FURNISHED UNLESS OTHERWISE SPECIFIED