

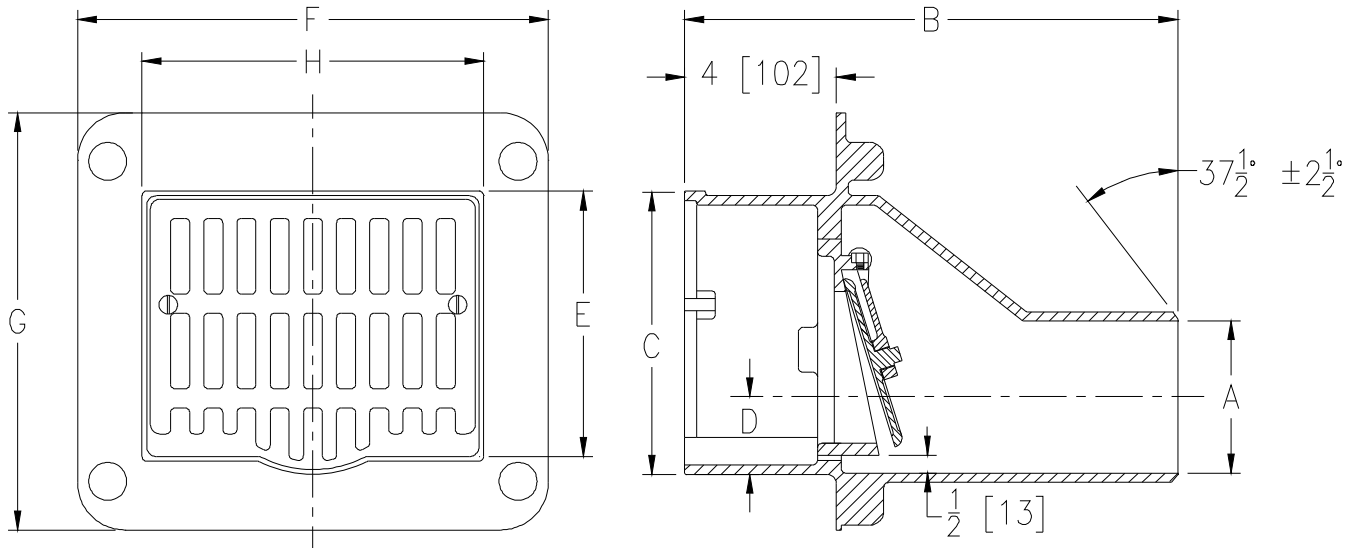


Z1739 PIT DRAIN

SPECIFICATION SHEET

TAG _____

Dimensional Data (inches and [mm]) are Subject to Manufacturing Tolerances and Change Without Notice



Dimensions in Inches								Approx. Wt. Lbs. [kg]	Grate Open Area Sq. In. [cm ²]
A-Pipe Size	B	C	D	E	F	G	H		
3 [76]	13 [330]	7-5/8 [194]	1-1/2 [38]	6-7/8 [175]	12-3/4 [324]	11 [280]	9-1/4 [235]	50 [23]	20 [129]
4 [102]			2 [51]						
6 [152]	13-1/2 [343]	9-3/8 [238]	3-1/8 [79]	8-1/2 [216]	14-1/2 [368]	12 [305]	11 [280]	65 [29]	33 [213]

ENGINEERING SPECIFICATION: ZURN Z1739 Pit drain, All Type 304 (CF8) stainless steel body with integral anchor flange, grate with plain finish and bronze backwater valve.

OPTIONS (Check/specify appropriate options)

PIPE SIZE

3-4-6[76-102-152]

(Specify size) **OUTLET**

_____ BW Butt-weld

(Specify Schedule 10, 40 or 80)

PREFIXES

- _____ Z Type 304 (CF8) Stainless Steel Body*
- _____ ZM Type 316 (CF8M) Stainless Steel Body

SUFFIXES

- _____ -C Clamp Collar
- _____ -SF Satin Finish Top
- _____ -SV Stainless Steel Backwater Valve
- _____ -VP Vandal-Proof Secured Top

*REGULARLY FURNISHED UNLESS OTHERWISE SPECIFIED

REV. E	DATE: 11/18/10	C.N. NO. 120399
DWG. NO. 59302	PRODUCT NO. Z1739	