



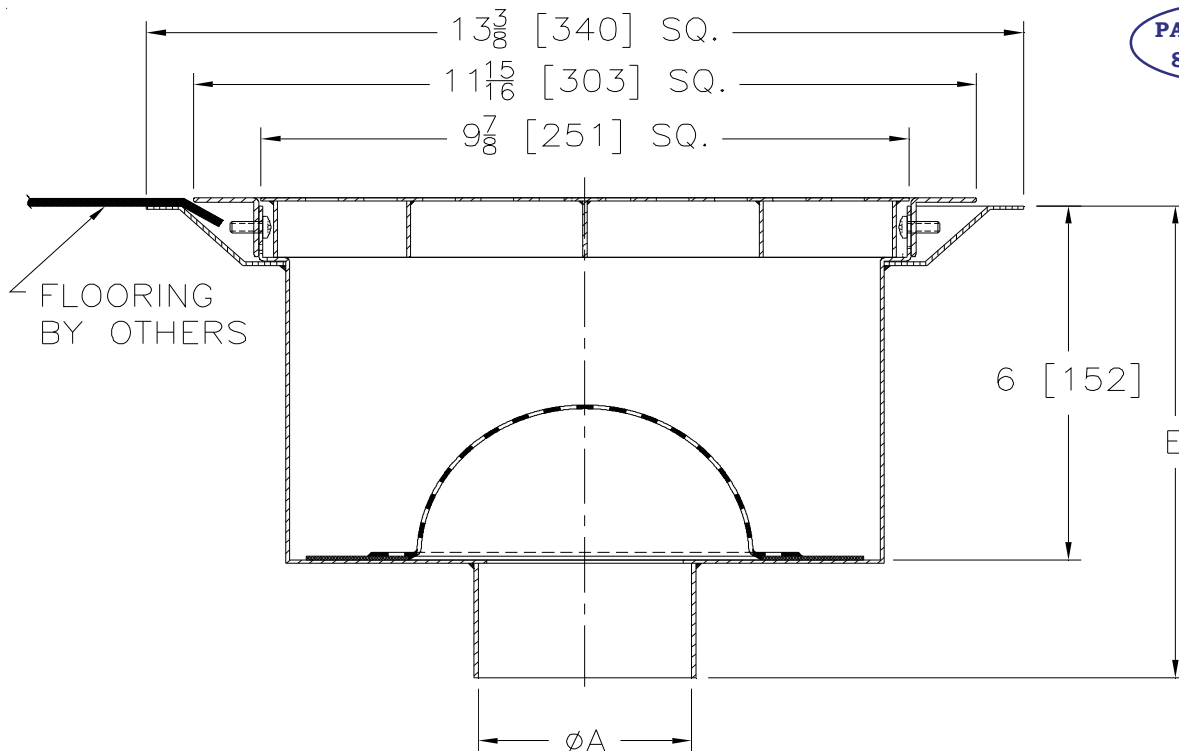
Z1755

SPECIFICATION SHEET

13-3/8 SQ. [340] SANI-FLOR RECEPTOR 6 [152] SUMP W/ ADJUSTABLE CLAMP FRAME

TAG _____

Dimensional Data (inches and [mm]) are Subject to Manufacturing Tolerances and Change Without Notice



A- Pipe Size In.	Approx. Wt. Lbs. [kg]	Grate Open Area Sq. In. [cm ²]
2-3-4 [51-76-102]	10 [5]	25 [161]

ENGINEERING SPECIFICATION: ZURN Z1755

13-3/8 [340] Square x 6 [152] deep, 16 gage, All Type 304 (CF8) Fabricated stainless steel light-duty Sani-Flor receptor with Integral flooring clamp frame and non-tilt loose-set full grate with interior dome strainer for unlevel floor installations.

OPTIONS (Check/specify appropriate options)

PIPE SIZE

2 thru 4 [51 thru 102]

(Specify size) **OUTLET**

____ NH No-Hub

'E' BODY HT. DIM.

8 [203]

PREFIXES

____ Z Type 304 (CF8) Stainless Steel Body*
 ____ ZM Type 316 (CF8M) Stainless Steel

SUFFIXES

____ -P 1/2 [13] Trap Primer Connection

REV. C	DATE: 07/12/13	C.N. NO. 129635
PROD./DWG. NO. Z1755		

*REGULARLY FURNISHED UNLESS OTHERWISE SPECIFIED