

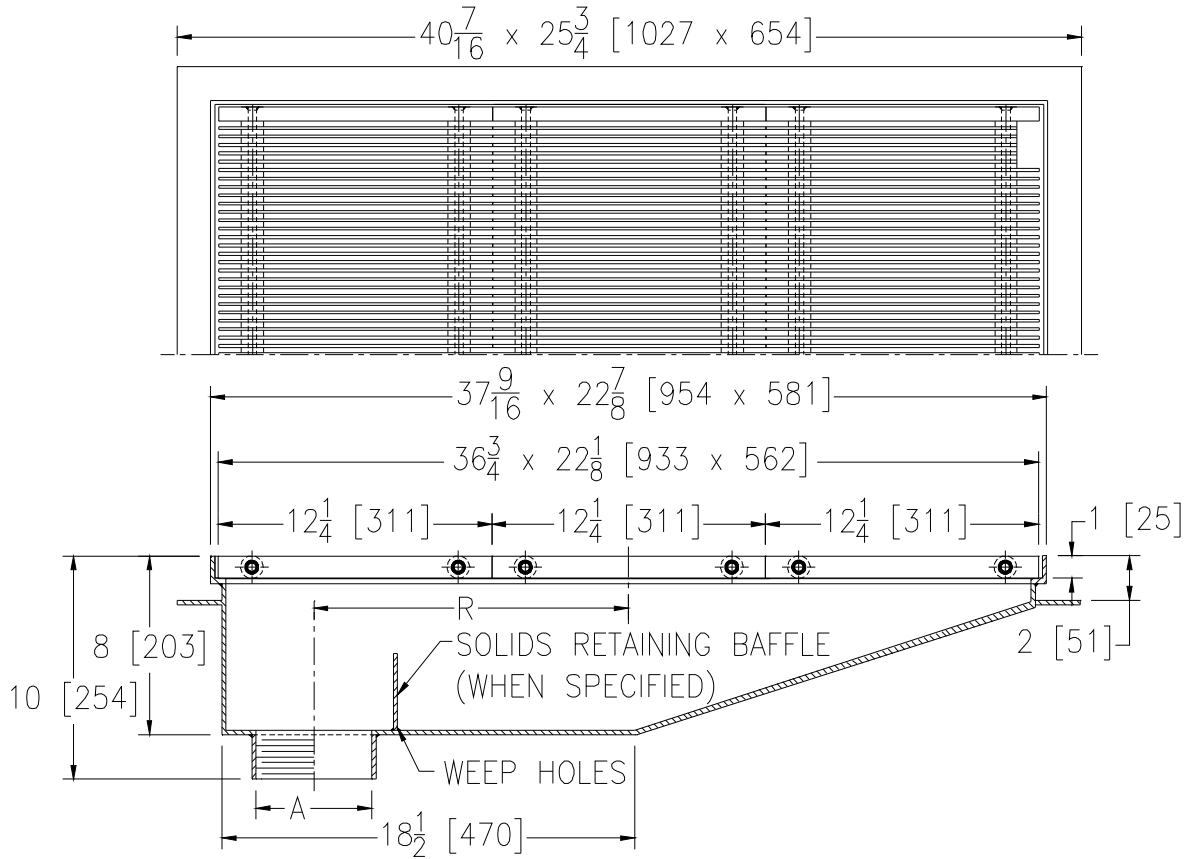


# Z1763 KETTLE DRAIN

SPECIFICATION SHEET

TAG \_\_\_\_\_

Dimensional Data (inches and [ mm ]) are Subject to Manufacturing Tolerances and Change Without Notice



Dimensions in Inches		Approx. Wt. Lbs.[kg.]	Grate Open Area Sq. In.[cm <sup>2</sup> ]
A-Pipe Size	R		
3-4 [76-102]	14 [356]	125 [57]	420 [191]
6 [152]	13 [330]		
8 [203]	12 [305]		
10 [254]	11 [279]		
12 [305]	10 [254]		

**ENGINEERING SPECIFICATION:** ZURN ZS1763  
Type 304 (CF8) stainless steel fabricated body and stainless steel three-piece grate with 1/8 [3] bars on 3/8 [10] center. One grate section with lift hole.

**OPTIONS** (Check/specify appropriate options)

**PIPE SIZE**

3-4-6-8-10-12[76-102-152-203-254-305]  
3-4-6-8-10-12[76-102-152-203-254-305]

(Specify size/type) **OUTLET**

\_\_\_ IP Threaded  
\_\_\_ NH No-Hub

**PREFIXES**

\_\_\_ Z Acid Resistant Epoxy Coated Steel Body with Stainless Steel Top  
\_\_\_ ZS All Type 304 Fabricated Stainless Steel Body with Stainless Steel Top\*

**SUFFIXES**

\_\_\_ -SB Solids Retaining Baffle

REV. C	DATE: 11/18/10	C.N. NO. 120408
DWG. NO. 67172	PRODUCT NO. Z1763	

\*REGULARLY FURNISHED UNLESS OTHERWISE SPECIFIED