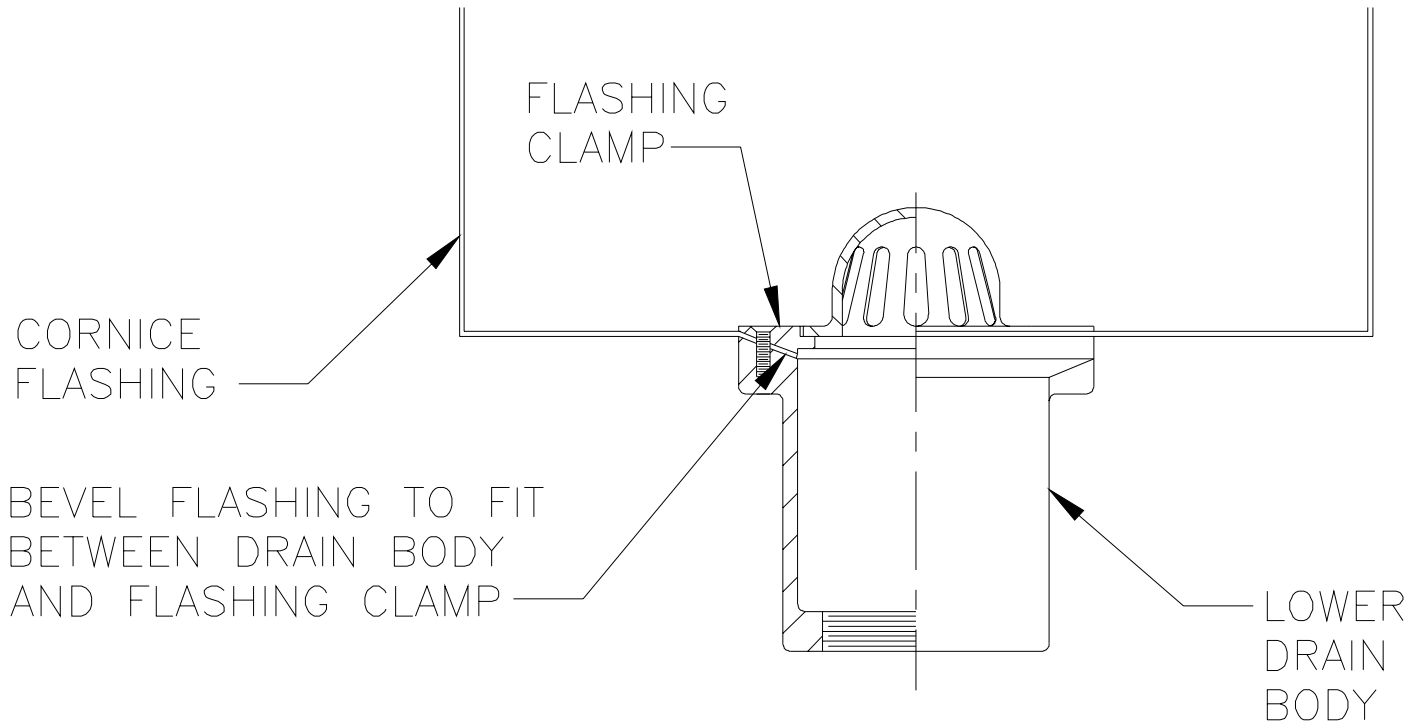




# TYPICAL INSTALLATION FOR Z180 CORNICE DRAIN

Dimensional Data (inches and [ mm ]) are Subject to Manufacturing Tolerances and Change Without Notice



## Z180 CORNICE DRAIN INSTALLED

This 4 [102] diameter cornice drain is complete with clamping collar and available with 1-1/2 [38] or 3 [76] high dome. To insure a water tight connection, it is recommended that a sealant be used between drain body mating parts and cornice flashing.

For a cornice drain with 90° outlet, see Z185.

Form # RD19

Date: 3/4/05

C.N. No. 92723

Rev. A

ZURN INDUSTRIES, INC. ♦ SPECIFICATION DRAINAGE OPERATION ♦ 1801 Pittsburgh Ave. ♦ Erie, PA 16514

Phone: 814/455-0921 ♦ Fax: 814/454-7929 ♦ World Wide Web: [www.zurn.com](http://www.zurn.com)

In Canada: ZURN INDUSTRIES LIMITED ♦ 3544 Nashua Drive ♦ Mississauga, Ontario L4V1L2 ♦ Phone: 905/405-8272 Fax: 905/405-1292