

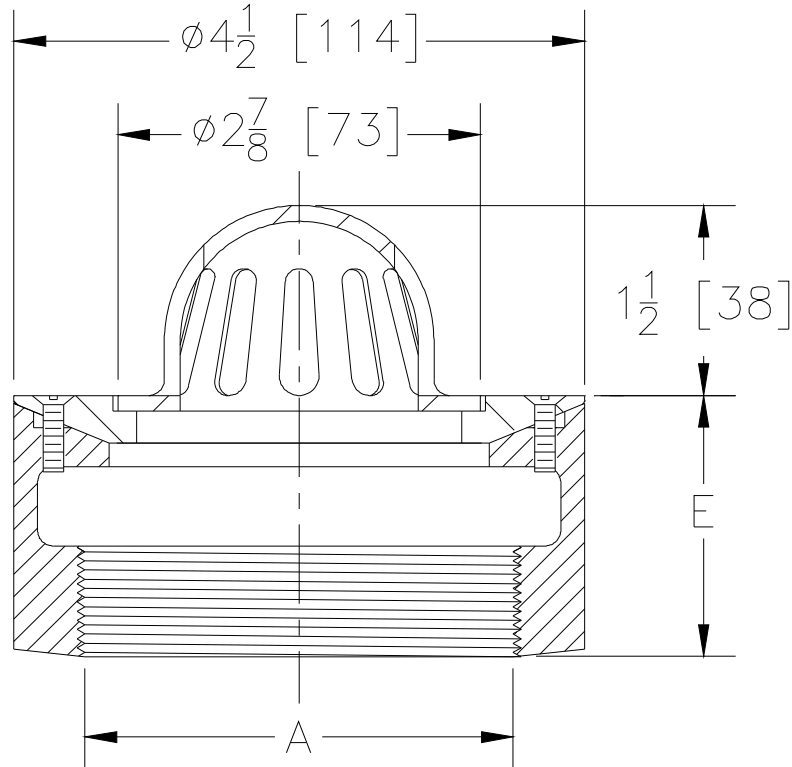


**Z180**  
**4-1/2 [114] DIAMETER CORNICE DRAIN**  
**BOTTOM OUTLET**

SPECIFICATION SHEET

TAG \_\_\_\_\_

Dimensional Data (inches and [mm]) are Subject to Manufacturing Tolerances and Changes Without Notice



A- Pipe Size In.	Approx. Wt. Lbs. [kg]	Dome Open Area Sq. In. [cm <sup>2</sup> ]
2-3 [51-76]	5 [2]	4.5 [29]

**ENGINEERING SPECIFICATION:** ZURN ZRB180 4 1/2 [114] Diameter by 2 [51] High Cornice drain, Dura-Coated cast iron body, plain bronze dome, and membrane flashing clamp.

**OPTIONS** (Check/specify appropriate options)

**PIPE SIZE**

2, 3 [51, 76]  
 2, 3 [51, 76]

(Specify size/type) **OUTLET**

\_\_\_ IP Threaded  
 \_\_\_ NH No-Hub (IP w/Z1040)

**'E' BODY HT. DIM.**

2 [51]

**PREFIXES**

\_\_\_ ZRB D.C.C.I. Body with Plain Bronze Dome\*  
 \_\_\_ ZB D.C.C.I. Body with Polished Bronze Dome  
 \_\_\_ ZN D.C.C.I. Body with Polished Nickel Bronze Dome

**SUFFIXES**

\_\_\_ -FS Flat Strainer (ZB or ZN)  
 \_\_\_ -G Galvanized Cast Iron  
 \_\_\_ -HD 3 [76] High Dome  
 \_\_\_ -VP Vandal Proof Secured Top  
 \_\_\_ -4 4 [102] High Body  
 \_\_\_ -8 8 [203] High Body

<b>REV. E</b>	<b>DATE: 10/21/10</b>	<b>C.N. NO. 111906</b>
<b>DWG. NO. 58828</b>	<b>PRODUCT NO. Z180</b>	

\*REGULARLY FURNISHED UNLESS OTHERWISE SPECIFIED