



# Z1840-8S

## 8 x 8 [203 x 203] SQUARE INDUSTRIAL FLOOR CLEANOUT

SPECIFICATION SHEET

TAG \_\_\_\_\_

Dimensional Data (inches and [ mm ]) are Subject to Manufacturing Tolerances and Change Without Notice

### Engineering Specification: ZURN Z1840-8S

8 x 8 [203 x 203] Square, 18 gage, all type 304 (CF8) stainless steel square industrial floor cleanout with secured extra-heavy-duty cover, removable ABS cleanout plug, and pre-pour stabilizing anchor tabs.

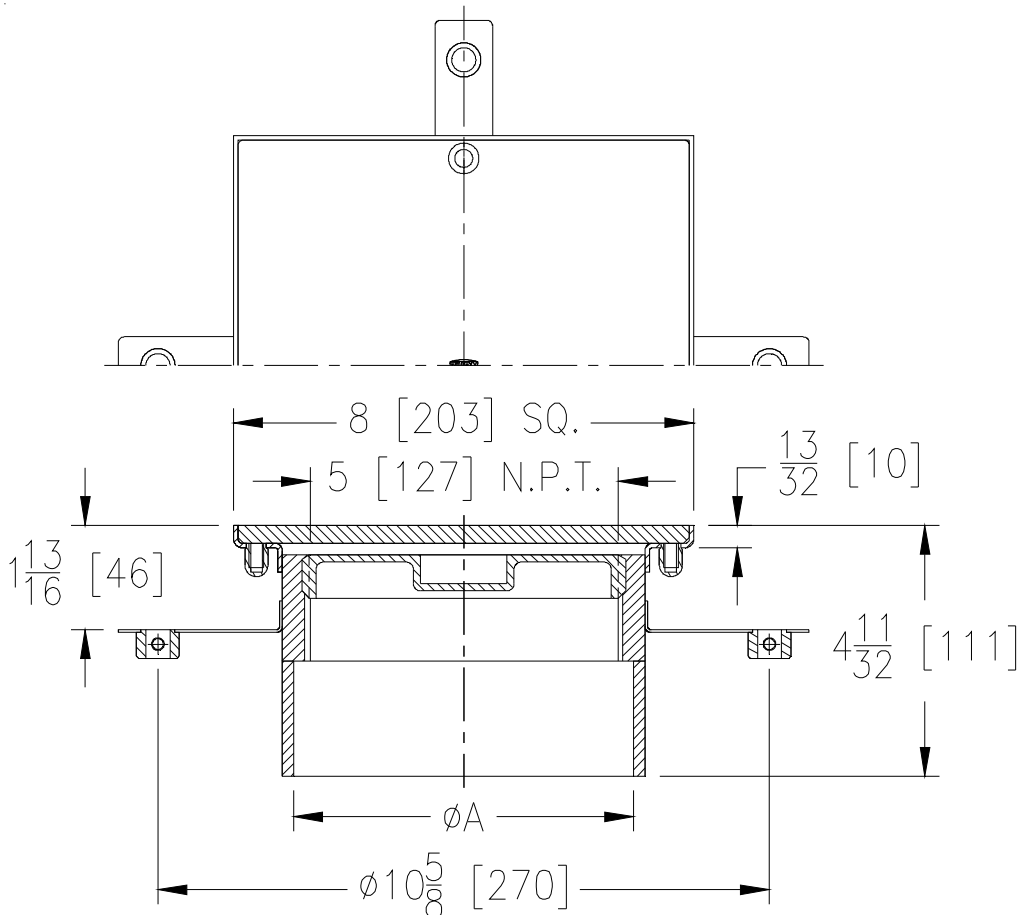
Approx. Wt. Lbs. [kg]
7 [3]

### Options (Check/specify appropriate options)

**Pipe Size (ØA)** (Specify size/type) **Outlet**  
 6 [152] \_\_\_\_\_ BW Butt-Weld (Sch. 10)  
 6 [152] \_\_\_\_\_ NH No-Hub

### Prefixes

\_\_\_ Z Type 304 (CF8) Stainless Steel\*  
 \_\_\_ ZM Type 316 (CF8M) Stainless Steel



\* Regularly furnished unless otherwise specified.

Zurn Industries, LLC | Specification Drainage Operation  
 1801 Pittsburgh Avenue, Erie, PA U.S.A. 16502 · Ph. 855-663-9876, Fax 814-454-7929  
 In Canada | Zurn Industries Limited  
 3544 Nashua Drive, Mississauga, Ontario L4V 1L2 · Ph. 905-405-8272, Fax 905-405-1292  
[www.zurn.com](http://www.zurn.com)

Rev. -  
 Date: 7/12/13  
 C.N. No. 129441  
 Prod. | Dwg. No. Z1840-8S