

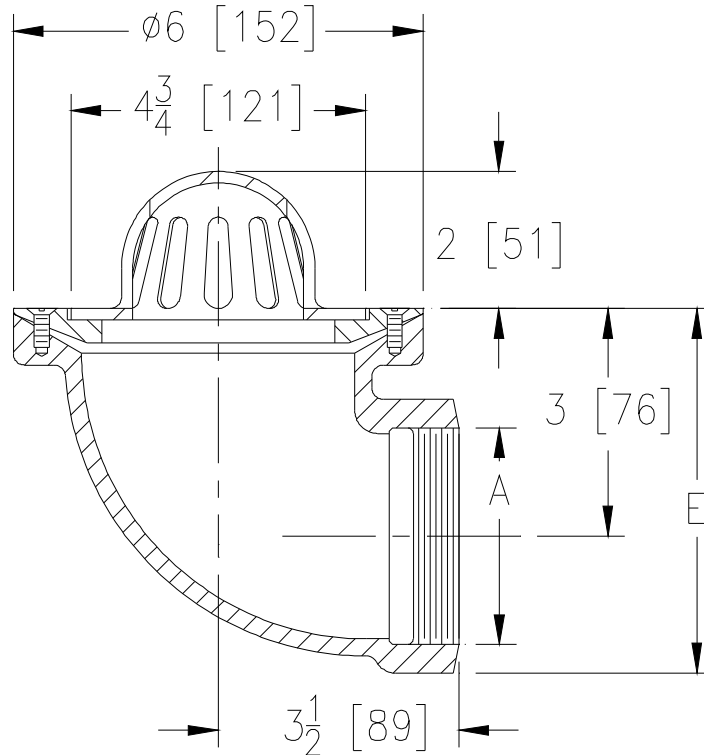


**Z185**  
**6 [152] DIAMETER CORNICE DRAIN**  
**90° OUTLET**

SPECIFICATION SHEET

TAG \_\_\_\_\_

Dimensional Data (inches and [mm]) are Subject to Manufacturing Tolerances and Changes Without Notice



A- Pipe Size In.	Approx. Wt. Lbs. [kg]	Dome Open Area Sq. In. [cm <sup>2</sup> ]
3 [76]	8 [4]	12 [72]
4 [102]	10 [4]	

**ENGINEERING SPECIFICATION:** ZURN ZRB185 6 [152] Diameter Cornice drain, Dura-Coated cast iron 90° side outlet body, plain bronze dome and membrane flashing clamp.

**OPTIONS** (Check/specify appropriate options)

**PIPE SIZE**

(Specify size/type) **OUTLET**

**'E' BODY HT. DIM.**

3 [76]  
4 [102]

\_\_\_ IP Threaded  
\_\_\_ IP Threaded

5-1/8 [130]  
5-5/8 [143]

**PREFIXES**

- \_\_\_ ZRB D.C.C.I. Body with Plain Bronze Dome\*
- \_\_\_ ZB D.C.C.I. Body with Polished Bronze Dome
- \_\_\_ ZN D.C.C.I. Body with Polished Nickel Bronze Dome

**SUFFIXES**

- \_\_\_ -FS Flat Strainer (ZB or ZN)
- \_\_\_ -G Galvanized Cast Iron
- \_\_\_ -HD 5-3/4 [146] High Dome
- \_\_\_ -VP Vandal Proof Secured Top
- \_\_\_ -45 45° Side Outlet Body

**REV. D      DATE: 10/21/10      C.N. NO. 111913**

**DWG. NO. 58831      PRODUCT NO. Z185**

\*REGULARLY FURNISHED UNLESS OTHERWISE SPECIFIED