

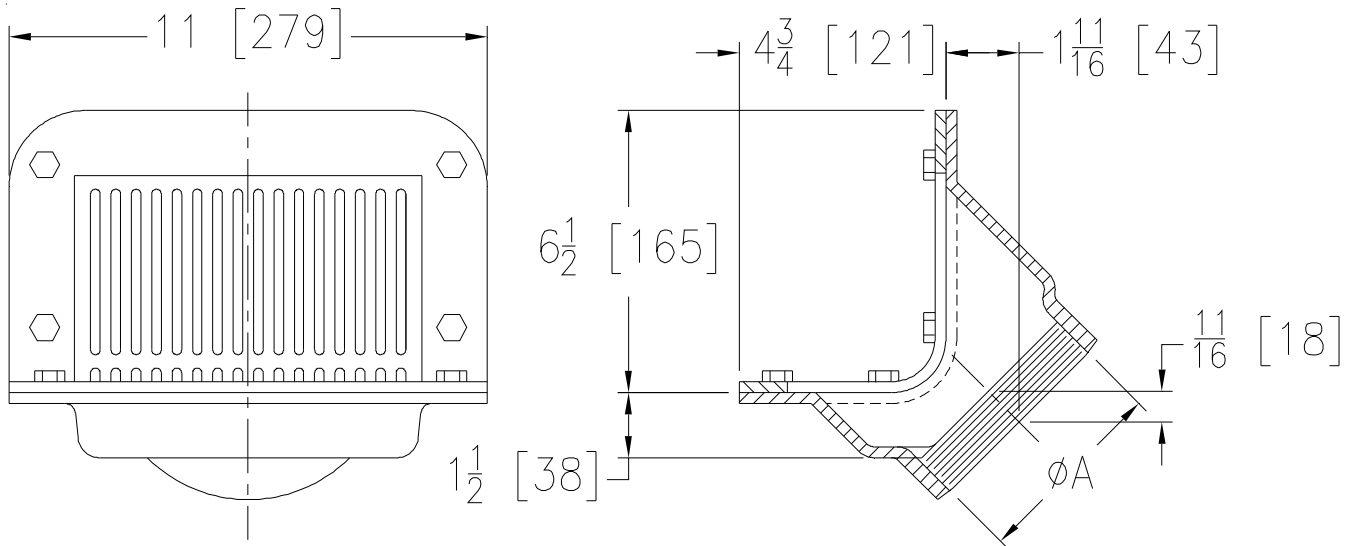


Z189
5 X 6 X 11 [127 X 152 X 279]
SCUPPER DRAIN

SPECIFICATION SHEET

TAG _____

Dimensional Data (inches and [mm]) are Subject to Manufacturing Tolerances and Change Without Notice



A Pipe Size	Approx. Wt. Lbs. [kg]	Grate Open Area Sq. In. [cm ²]
2 [51]	18 [8]	20 [129]
3 [76]		
4 [102]		

ENGINEERING SPECIFICATION: ZURN Z189

5 x 6 x 11 [127 x 152 x 279] Scupper drain, Dura-Coated cast iron body with 45° outlet and flush type aluminum strainer with combination aluminum frame and membrane flashing clamp.

OPTIONS (Check/specify appropriate options)

PIPE SIZE

2, 3, 4 [51, 76, 102]
 2, 3, 4 [51, 76, 102]

(Specify size/type) **OUTLET**

___ IP Threaded
 ___ NH No-Hub (IP w/Z1040)

PREFIXES

___ Z D.C.C.I. Body with Aluminum Grate*
 ___ ZB D.C.C.I. Body with Polished Bronze Grate
 ___ ZN D.C.C.I. Body with Polished Nickel Bronze Grate

SUFFIXES

___ -BS Bronze Mesh Screen Over Grate
 ___ -DA Downspout Adapter (-90 Only)
 ___ -G Galvanized Cast Iron
 ___ -OB Oblique Grate
 ___ -TS Secured Top
 ___ -VP Vandal-Proof Secured Top
 ___ -90 90° Threaded Side Outlet Body

* Regularly furnished unless otherwise specified.