



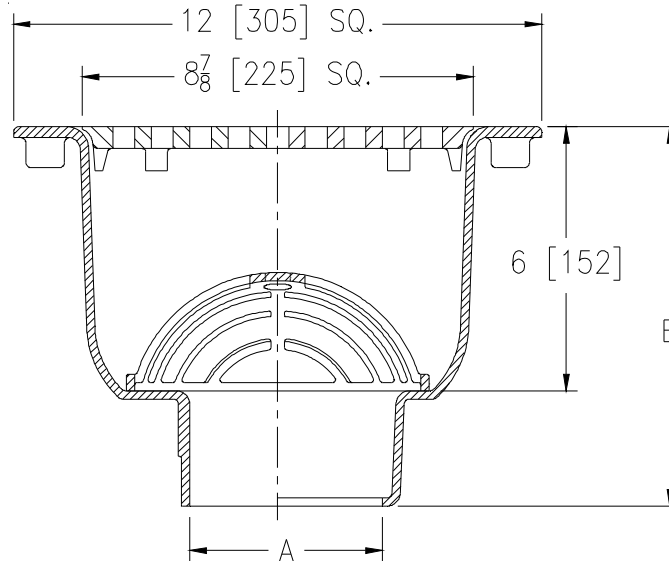
# Z1900

## 12 x 12 [305 x 305] A.R.E. SANI-FLOOR RECEPTOR 6 [152] SUMP DEPTH

SPECIFICATION SHEET

TAG \_\_\_\_\_

Dimensional Data (inches and [ mm ]) are Subject to Manufacturing Tolerances and Change Without Notice



A Pipe Size In.	Approx Wt. Lbs. [kg]	Grate Open Area Sq. In. [cm <sup>2</sup> ]
2-3-4 [51-76-102]	32 [15]	31 [200]

### ENGINEERING SPECIFICATION: ZURN Z1900

Sani-Flor Receptor 12 x 12 x 6 [305 x 305 x 152] deep cast iron body and square, light-duty grate with 1/2 [13] slotted openings, white acid resisting porcelain enamel interior and top, complete with white ABS anti-splash interior bottom dome strainer.

### OPTIONS (Check/specify appropriate options)

#### PIPE SIZE

- 2-3-4 [51-76-102]
- 2-3-4 [51-76-102]
- 2-3-4 [51-76-102]

#### (Specify size/type) OUTLET

- \_\_\_ IC Inside Caulk
- \_\_\_ NH No-Hub
- \_\_\_ NL Neo-Loc

#### 'E' BODY HT. DIMENSION

Z	ZN / ZS
8-5/8 [219]	9-1/8 [232]
8-5/8 [219]	9-1/8 [232]
8 [203]	8-1/2 [216]

#### PREFIXES

- \_\_\_ Z Cast Iron Body with White A.R.E. Interior\*
- \_\_\_ ZN Cast Iron Body with White A.R.E. Interior, 12-1/2 [317] Square N.B. Frame and Full Grate with 1/2 [13] Openings (Add 1/2 [13] to 12 [305] Dim.)
- \_\_\_ ZS Cast Iron Body with White A.R.E. Interior, 12-1/2 [317] Square Stainless Steel Frame and Full Grate with 1/2 [13] Openings (Add 1/2 [13] to 12 [305] Dim.)

#### SUFFIXES

- \_\_\_ -DX Dex-O-Tex Flange (ZN Only)
- \_\_\_ -HD Stainless Steel Frame w/ X-Heavy Duty Stainless Steel Grate (ZS Only)
- \_\_\_ -HP Heel-Proof Grate (ZN Only)
- \_\_\_ -K Anchor Flange
- \_\_\_ -KC Anchor Flange with Seepage Holes and Clamp Collar
- \_\_\_ -LD (Less) Bottom Dome Strainer
- \_\_\_ -P 1/2 [13] Trap Primer Connection (See Z1023)
- \_\_\_ -SA Stabilizer Assembly (See Z1903)
- \_\_\_ -TC Neo-Loc Test Cap Gasket (2-4 [51-102] NL Bottom Outlet Only)
- \_\_\_ -VPS Vandal-Proof Strainer
- \_\_\_ -1 (Less) Grate
- \_\_\_ -2 1/2 Grate
- \_\_\_ -3 3/4 Grate
- \_\_\_ -4 Full Grate w/ Center Opening (2 [51] Dia. for Z) and (3-1/32 [77] Square for ZN & ZS)
- \_\_\_ -5 Grate w/ 4 [102] Dia. x 3-3/4 [95] High Funnel
- \_\_\_ -6 Grate w/ 6 [152] Dia. x 6 [152] High Funnel
- \_\_\_ -7 Grate w/ 6-3/4 x 3 x 1 [171 x 76 x 25] High Oval Funnel
- \_\_\_ -8 Grate w/ 8-7/8 x 3-5/8 x 3-3/4 [225 x 92 x 95] High Oval Funnel
- \_\_\_ -9 Angle Frame and Grate (ZN Only)
- \_\_\_ -11 Vandal-Proof Secured Top (ZN & ZS Only)
- \_\_\_ -12 Depressed Aluminum Grate (ZN Only)
- \_\_\_ -15 Solid Loose Set Cover (Z & ZN Only)
- \_\_\_ -16 1/2 Solid Loose Set Cover (Z & ZN Only)
- \_\_\_ -17 3/4 Solid Loose Set Cover (Z & ZN Only)
- \_\_\_ -18 Solid Loose Set Cover w/ Center Opening (2-1/4 [57] Square for Z Only) and (3 [76] Square for ZN Only)
- \_\_\_ -19 Full Hinged Grate (ZN Only)
- \_\_\_ -23 Aluminum Bucket
- \_\_\_ -25 White A.R.C. Bucket
- \_\_\_ -31 Stainless Steel Mesh Liner for Bucket
- \_\_\_ -32 Aluminum Dome Strainer
- \_\_\_ -33 White A.R.C. Anti-Splash Bottom Dome Strainer
- \_\_\_ -34 N.B. Anti-Splash Bottom Dome Strainer

\*REGULARLY FURNISHED UNLESS OTHERWISE SPECIFIED

REV. L DATE: 9/20/11 C.N. NO. 122166

DWG. NO. 59341

PRODUCT NO. Z1900

ZURN INDUSTRIES, LLC. ♦ SPECIFICATION DRAINAGE OPERATION ♦ 1801 Pittsburgh Ave. ♦ Erie, PA 16514

Phone: 814/455-0921 ♦ Fax: 814/454-7929 ♦ World Wide Web: www.zurn.com

In Canada: ZURN INDUSTRIES LIMITED ♦ 3544 Nashua Drive ♦ Mississauga, Ontario L4V1L2 ♦ Phone: 905/405-8272 Fax: 905/405-1292