



# Z1903

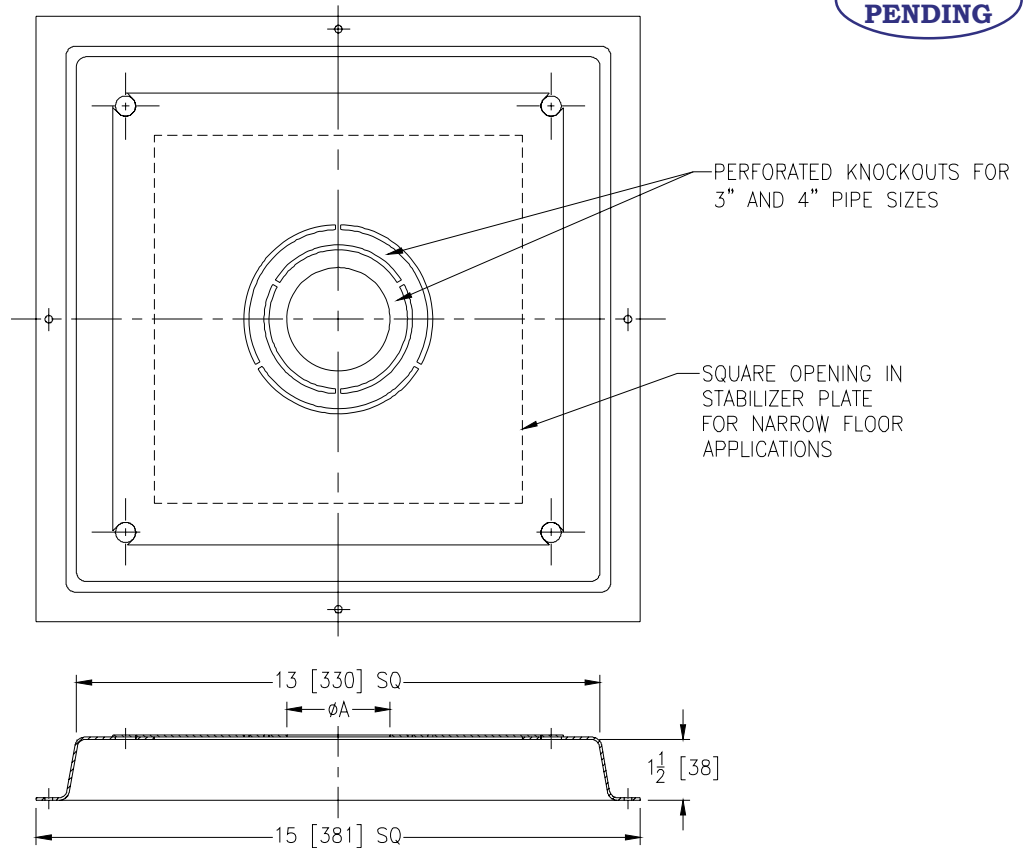
## SANI-FLORECEPTOR INSTALLATION STABILIZER

SPECIFICATION SHEET

TAG \_\_\_\_\_

Dimensional Data (inches and [ mm ]) are Subject to Manufacturing Tolerances and Change Without Notice

**PATENT  
PENDING**



Pipe Size In.	A Dia.
2 [51]	2-9/16 [65]
3 [76]	3-11/16 [94]
4 [102]	4-11/16 [119]

**ENGINEERING SPECIFICATION: ZURN Z1903**

Sani-Flor Receptor Installation Stabilizer. #16 Gage galvanized steel plate with variable pipe opening, four support stud holes, and four nail holes. Complete with hardware bag containing four 3/8-16 x 12 [305] long studs and eight 3/8-16 flange locknuts, and cover plate with hole for standard 2" pipe size and perforated knockouts for 3" and 4" pipe connections. For use with Z1900, Z1901 and Z1902 Sani-Flor receptors.

**NOTE:** Stabilizer plate may be used without cover plate for narrow floor applications where drain body will be recessed into stabilizer plate.

REV. A	DATE: 11/22/10	C.N. NO. 120506
DWG. NO. 82484	PRODUCT NO. Z1903	