

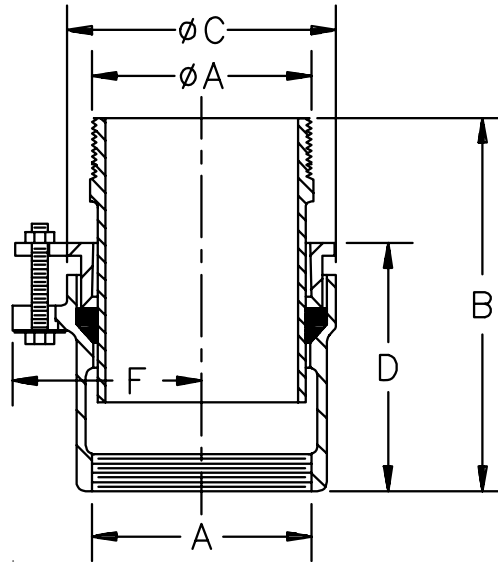


# Z190 VERTICAL EXPANSION JOINT

SPECIFICATION SHEET

TAG \_\_\_\_\_

Dimensional Data (inches and [ mm ]) are Subject to Manufacturing Tolerances and Change Without Notice



A Pipe Size Inches	Dimensions In Inches					Approx. Wt. Lbs. [kg]
	B		C	D	F	
	Min.	Max.				
2 [51]	6 1/2 [165]	8 1/2 [216]	3-5/8 [92]	5 [127]	2-3/4 [70]	8 [4]
3 [76]			4-5/8 [117]		3-1/4 [82]	11 [5]
4 [102]			5-1/2 [140]	4-3/4 [121]	3-3/4 [95]	13 [6]
5 [127]	6 7/8 [175]	8 5/8 [219]	6-1/2 [165]	5 [127]	4-1/4 [108]	18 [8]
6 [152]			7-7/8 [200]		5 [127]	25 [11]
8 [203]			9-7/8 [251]		6 [152]	35 [16]
10 [254]	7 7/8 [200]	10 7/8 [276]	11-3/4 [298]		6 [152]	6-7/8 [175]

**ENGINEERING SPECIFICATION:** ZURN ZRB190 Vertical Expansion Joint, Dura-Coated cast iron body, packing gland and siliconed bronze sleeve with preformed neoprene packing gasket.

**OPTIONS** (Check/specify appropriate options)

**PIPE SIZE**

2 thru 6, 8, 10 [51 thru 152, 203, 254]  
(IP w/ Z1040)

(Specify size/type) **OUTLET**

\_\_\_ IP Threaded  
\_\_\_ NH No-Hub

**'D' BODY HT. DIM.**

See Chart

**PREFIXES**

\_\_\_ ZRB D.C.C.I. Body with Polished Bronze Sleeve\*

**SUFFIXES**

\_\_\_ -G Galvanized Cast Iron

REV. C      DATE: 10/21/10      C.N. NO. 111908

DWG. NO. 58833      PRODUCT NO. Z190

\*REGULARLY FURNISHED UNLESS OTHERWISE SPECIFIED