

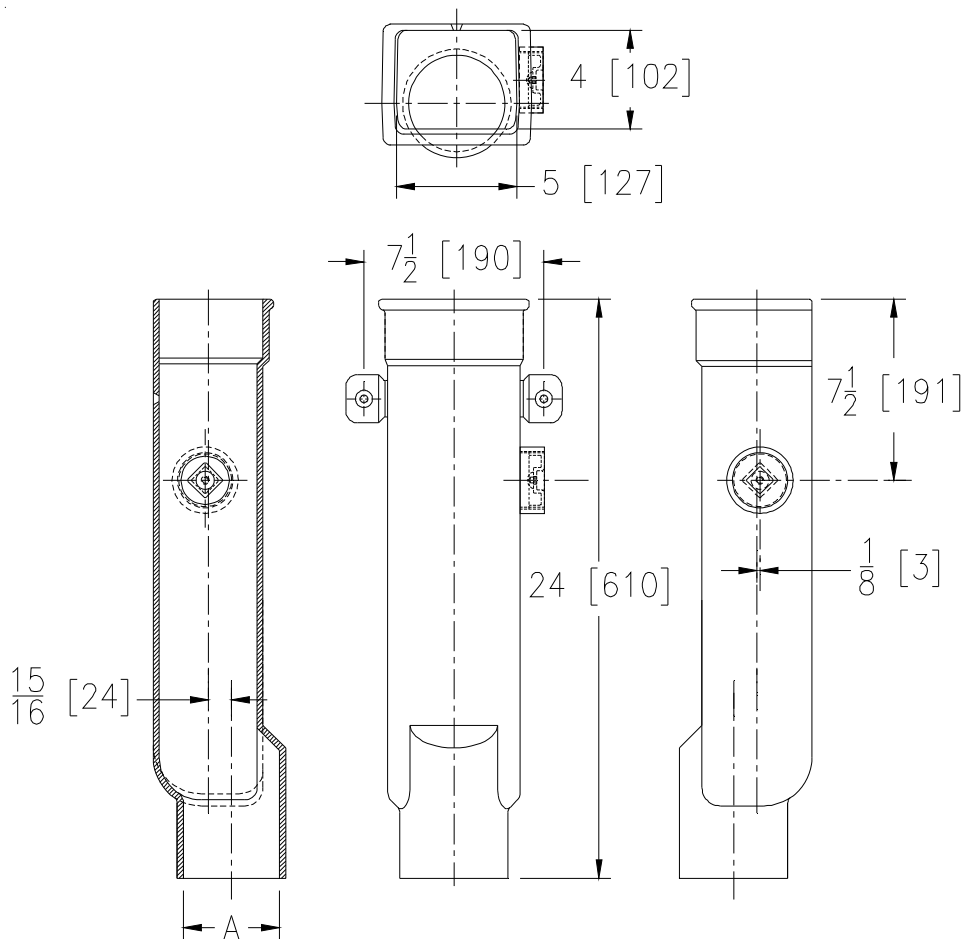


**Z191-CA
DOWNSPOUT BOOT
W/ CLEANOUT ACCESS WITH PLUG**

SPECIFICATION SHEET

TAG _____

Dimensional Data (inches and [mm]) are Subject to Manufacturing Tolerances and Changes Without Notice



Product Designation	Size	A Pipe Size	Approx. Wt. Lbs. [kg]
Z191	5 x 4 x 24 [127 x 102 x 610]	4 [102]	30 [14]

ENGINEERING SPECIFICATION: ZURN Z191-CA Downspout Boot, Dura-coated cast iron body and strap with 1/4 [6] dia. cast holes for flat head bolts & 2 [51] N.P.T. cleanout access with plug.

OPTIONS (Check/specify appropriate options)

PIPE SIZE

4 [102]

OUTLET

___ NH No-Hub

PREFIXES

___ Z D.C.C.I. Body*

SUFFIXES

___ -G Galvanized Cast Iron

REV. A	DATE: 5/20/10	C.N. NO. 111142
DWG. NO. 67610	PRODUCT NO. Z191-CA	

*REGULARLY FURNISHED UNLESS OTHERWISE SPECIFIED