

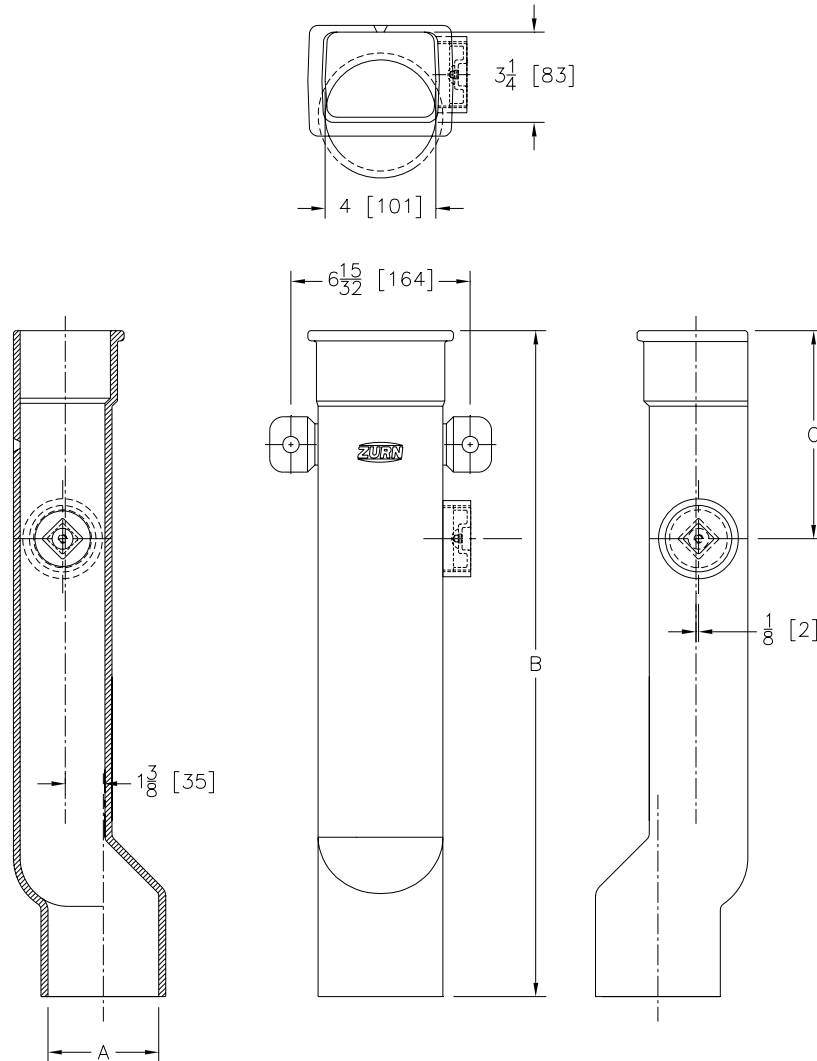


Z192-CA
4 X 3 [102 X 76]
DOWNPOUT BOOT WITH CLEANOUT ACCESS

SPECIFICATION SHEET

TAG _____

Dimensional Data (inches and [mm]) are Subject to Manufacturing Tolerances and Changes Without Notice



Dimensions In Inches			
Size	A Pipe Size	B	C
4 x 3 x 12 [102 x 76 x 305]	4 [102]	12 [305]	4 11/32 [111]
4 x 3 x 18 [102 x 76 x 457]		18 [457]	7 1/2 [191]
4 x 3 x 24 [102 x 76 x 610]		24 [610]	7 1/2 [191]

ENGINEERING SPECIFICATION ZURN Z192-CA Cast iron body and strap with 1/4 [6] dia. cast holes for flat head bolts and 2 [51] NPT cleanout access with plug.

OPTIONS (Check/specify appropriate options)

PIPE SIZE (Specify size/type) **OUTLET**
 4 [102] _____ NH No-Hub

PREFIXES
 ___ Z D.C.C.I. Body*

SUFFIXES
 ___ -G Galvanized Cast Iron

REV. _____ **DATE:** 9/29/06 **C.N. NO.** 95672

DWG. NO. 82905 **PRODUCT NO.** Z192-CA

*REGULARLY FURNISHED UNLESS OTHERWISE SPECIFIED