



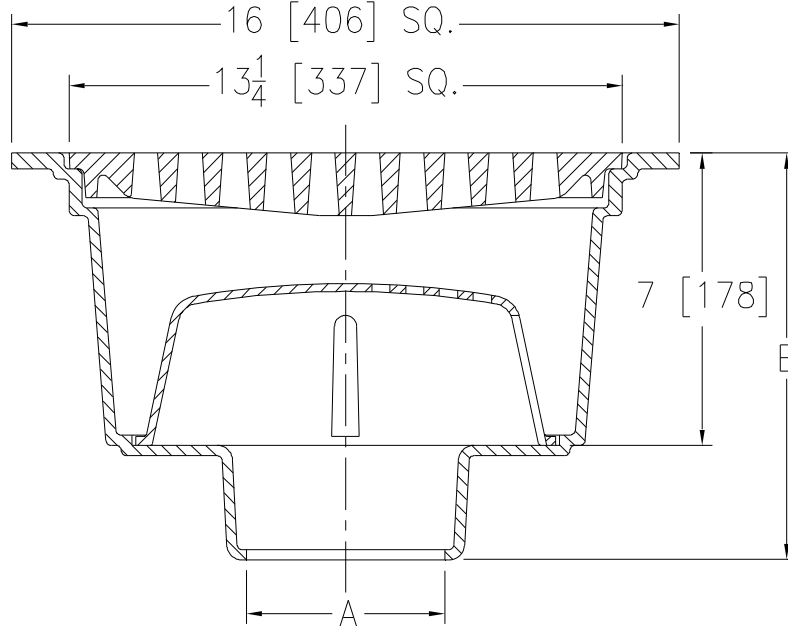
# Z1920

## 16 X 16 [406 X 406] A.R.C. SANI-FLOR RECEPTOR 7 [178] SUMP DEPTH

SPECIFICATION SHEET

TAG \_\_\_\_\_

Dimensional Data (inches and [ mm ]) are Subject to Manufacturing Tolerances and Change Without Notice



A Pipe Size In.	Approx Wt. Lbs. [kg]	Grate Open Area Sq. In. [cm <sup>2</sup> ]
2-3-4-6-8 [51-76-102-152-203]	81 [37]	54 [348]

### ENGINEERING SPECIFICATION: ZURN Z1920

Sani-Flor Receptor 16 x 16 x 7 [406 x 406 x 178] deep cast iron body and square slotted heavy-duty grate, with white acid resisting epoxy coated interior and top, complete with aluminum anti-splash interior bottom dome strainer.

### OPTIONS (Check/specify appropriate options)

#### PIPE SIZE

2-3-4-6 [51-76-102-152]  
8 [203]  
2-3-4 [51-76-102]

#### (Specify size/type) OUTLET

\_\_\_ IC Inside Caulk  
\_\_\_ IC Inside Caulk  
\_\_\_ NL Neo-Loc

#### 'E' BODY HT. DIMENSION

Z	ZN
9-3/4 [248]	9-15/16 [252]
10-1/4 [260]	10-7/16 [265]
9 [229]	9-3/16 [233]

#### PREFIXES

\_\_\_ Z Cast Iron Body with White A.R.C. Interior\*  
\_\_\_ ZN Cast Iron Body with White A.R.C. Interior, 16-3/4 [425] Square N.B. Frame and Full Slotted Grate (Add 3/4 [19] to 16 [406] Dim.)

#### SUFFIXES

___ -K	Anchor Flange	___ -8	Grate w/ 8-7/8 x 3-5/8 x 3-3/4 [225 x 92 x 95] High Oval Funnel
___ -KC	Anchor Flange with Seepage Holes and Clamp Collar	___ -11	Vandal-Proof Secured Grate
___ -LD	(Less) Bottom Dome Strainer	___ -15	Solid Loose Set Cover
___ -P	1/2 [13] Trap Primer Connection	___ -16	1/2 Solid Loose Set Cover
___ -TC	Neo-Loc Test Cap Gasket (2-4 [51-102] NL Bottom Outlet Only)	___ -17	3/4 Solid Loose Set Cover
___ -1	(Less) Grate	___ -18	Solid Loose Set Cover with Square Center Opening
___ -2	1/2 Grate	___ -23	Aluminum Bucket
___ -3	3/4 Grate	___ -25	White A.R.C. Bucket
___ -4	Full Grate with Square Center Opening	___ -31	Stainless Steel Mesh Liner for Bucket
___ -5	Grate w/ 4 [102] Dia. x 3-3/4 [95] High Funnel	___ -33	White A.R.C. Anti-Splash Bottom Dome Strainer
___ -6	Grate w/ 6 [152] Dia. x 6 [152] High Funnel		
___ -7	Grate w/ 6-3/4 x 3 x 1 [171 x 76 x 25] High Oval Funnel		

REV. G      DATE: 11/23/10      C.N. NO. 120513

DWG. NO. 59345

PRODUCT NO. Z1920

\*REGULARLY FURNISHED UNLESS OTHERWISE SPECIFIED

ZURN INDUSTRIES, LLC ♦ SPECIFICATION DRAINAGE OPERATION ♦ 1801 Pittsburgh Ave. ♦ Erie, PA 16514

Phone: 814/455-0921 ♦ Fax: 814/454-7929 ♦ World Wide Web: www.zurn.com

In Canada: ZURN INDUSTRIES LIMITED ♦ 3544 Nashua Drive ♦ Mississauga, Ontario L4V1L2 ♦ Phone: 905/405-8272 Fax: 905/405-1292