



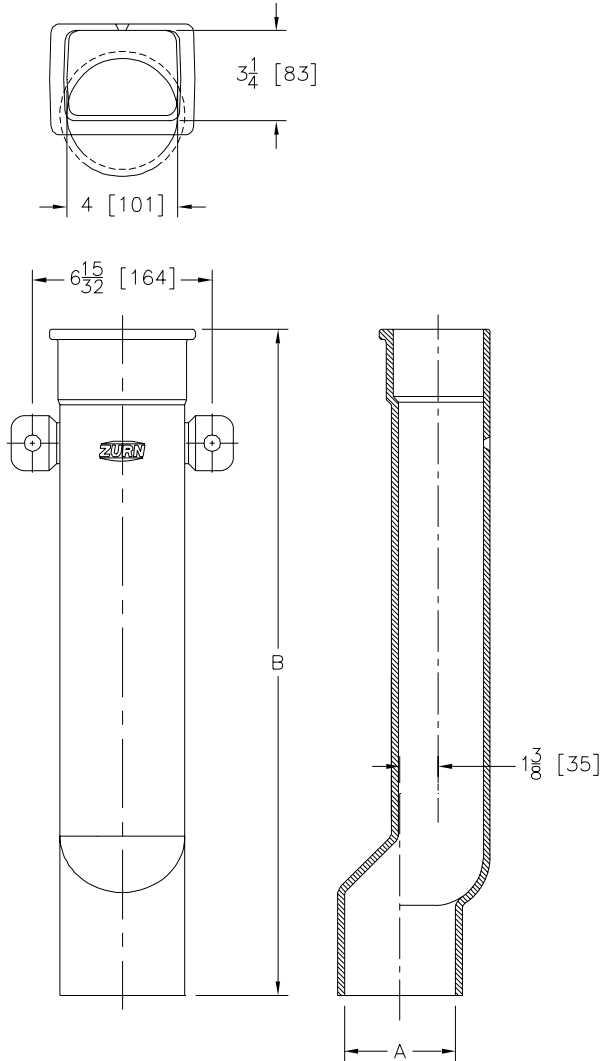
# Z192

## 4 X 3 [102 X 76] DOWNSPOUT BOOT

SPECIFICATION SHEET

TAG \_\_\_\_\_

Dimensional Data (inches and [ mm ]) are Subject to Manufacturing Tolerances and Change Without Notice



Dimensions In Inches			Approx. Wt. Lbs. [kg]
Size	A Pipe Size	B	
4 x 3 x 12 [102 x 76 x 305]	4 [102]	12 [305]	14 [6]
4 x 3 x 18 [102 x 76 x 457]		18 [457]	20 [9]
4 x 3 x 24 [102 x 76 x 610]		24 [610]	27 [12]

### ENGINEERING SPECIFICATION ZURN Z192

4 x 3 [102 x 76] Downspout Boot, Dura-Coated cast iron body and strap with 1/4 [6] dia. cast holes for flat head bolts.

### OPTIONS (Check/specify appropriate options)

#### PIPE SIZE

4 [102]

(Specify size/type) **OUTLET**

\_\_\_ NH No-Hub

#### PREFIXES

\_\_\_ Z D.C.C.I. Body\*

#### SUFFIXES

\_\_\_ -CA Cleanout Access with Plug  
\_\_\_ -G Galvanized Cast Iron

REV. E DATE: 10/21/10 C.N. NO. 111911

DWG. NO. 58835 PRODUCT NO. Z192

\*REGULARLY FURNISHED UNLESS OTHERWISE SPECIFIED

ZURN INDUSTRIES, LLC ♦ SPECIFICATION DRAINAGE OPERATION ♦ 1801 Pittsburgh Ave. ♦ Erie, PA 16514

Phone: 814/455-0921 ♦ Fax: 814/454-7929 ♦ World Wide Web: www.zurn.com

In Canada: ZURN INDUSTRIES LIMITED ♦ 3544 Nashua Drive ♦ Mississauga, Ontario L4V1L2 ♦ Phone: 905/405-8272 Fax: 905/405-1292