



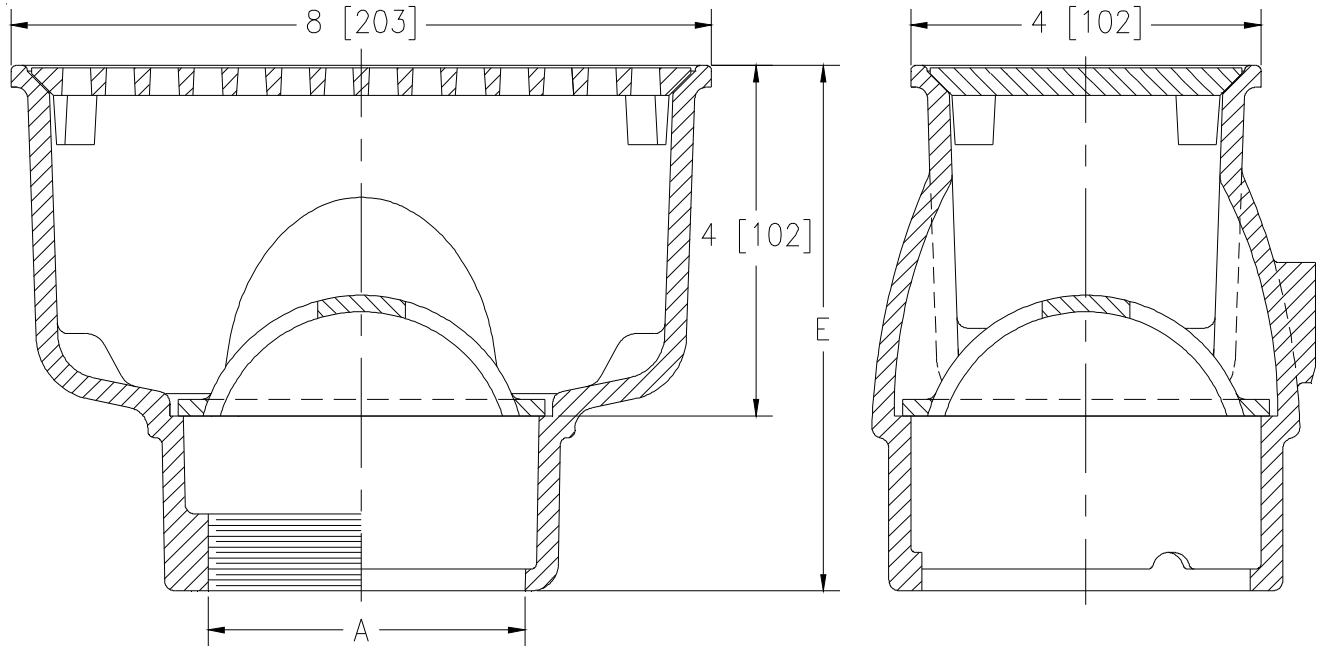
Z1930

8 X 4 [203 X 102] A.R.C. SANI-FLOOR
RECEPTOR 4 [102] SUMP DEPTH

SPECIFICATION SHEET

TAG _____

Dimensional Data (inches and [mm]) are Subject to Manufacturing Tolerances and Change Without Notice



A- Pipe Size In.	Approx Wt. Lbs. [kg]	Grate Open Area Sq. In. [cm ²]
2-3 [51-76]	11 [5]	7.5 [48]

ENGINEERING SPECIFICATION: ZURN Z1930

Sani-Floor Receptor 8 x 4 x 4 [203 x 102 x 102] deep cast iron body and rectangular square hole light-duty grate, with white acid resisting epoxy coated interior and top, complete with white ABS anti-splash interior bottom dome strainer.

OPTIONS (Check/specify appropriate options)

PIPE SIZE

- 2-3 [51-76]
- 2-3 [51-76]
- 2-3 [51-76]

(Specify size/type) **OUTLET**

- ___ IC Inside Caulk
- ___ IP Threaded
- ___ NL Neo-Loc

'E' BODY HT. DIMENSION

Z	ZN
6 [152]	6-3/8 [162]
6 [152]	6-3/8 [162]
5-13/16 [148]	6-3/16 [157]

PREFIXES

- ___ Z Cast Iron Body with White A.R.C. Interior*
- ___ ZN Cast Iron Body with White A.R.C. Interior, 8-3/4 x 4-3/4 [222 x 121] N.B. Frame and Full Grate with 5/16 [8] Square Openings+
+Add 3/4 [19] to 8 [203] x 4 [102] Dimension

SUFFIXES

- ___ -K Anchor Flange
- ___ -KC Anchor Flange with Seepage Holes and Clamp Collar
- ___ -LD (Less) Bottom Dome Strainer
- ___ -P 1/2 [13] Trap Primer Connection
- ___ -S Secondary Strainer
- ___ -TC Neo-Loc Test Cap Gasket (2-3 [51-76] NL Bottom Outlet Only)
- ___ -1 (Less) Grate
- ___ -2 1/2 Grate
- ___ -3 3/4 Grate
- ___ -4 Full Grate with Square Center Opening
- ___ -5 Grate w/ 4 [102] Dia. x 3-3/4 [95] High Funnel
- ___ -6 Grate w/ 6 [102] Dia. x 6 [152] High Funnel
- ___ -7 Grate w/ 6-3/4 x 3 x 1 [171 x 76 x 25] High Oval Funnel
- ___ -8 Grate w/ 8-7/8 x 3-5/8 x 3-3/4 [225 x 92 x 95] High Oval Funnel
- ___ -11 Vandal-Proof Secured Grate
- ___ -15 Solid Loose Set Cover
- ___ -16 1/2 Solid Loose Set Cover
- ___ -23 Stainless Steel Bucket
- ___ -25 White A.R.C. Bucket
- ___ -31 Stainless Steel Mesh Liner for Bucket
- ___ -32 Aluminum Dome Strainer
- ___ -33 White A.R.C. Anti-Splash Bottom Dome Strainer

REV. F	DATE: 05/08/12	C.N. NO. 124245
DWG. NO. 59347	PRODUCT NO. Z1930	

*REGULARLY FURNISHED UNLESS OTHERWISE SPECIFIED