



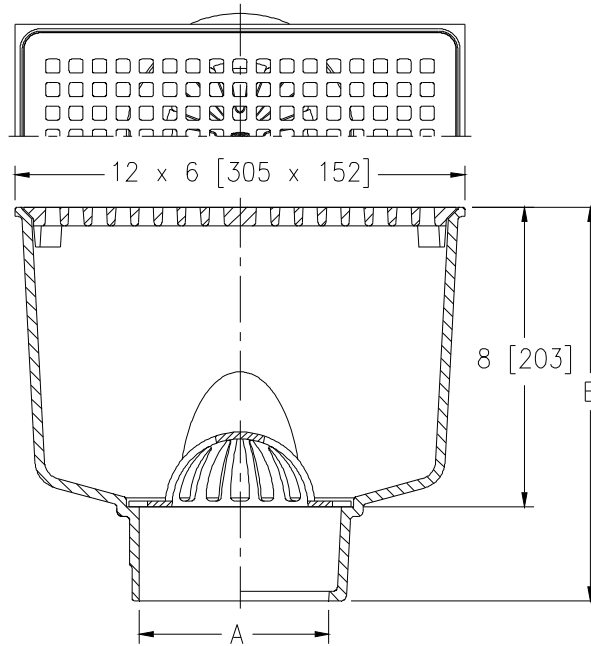
# Z1940

## 12 X 6 [305 X 152] A.R.C. SANI-FLOR RECEPTOR 8 [203] SUMP DEPTH

SPECIFICATION SHEET

TAG \_\_\_\_\_

Dimensional Data (inches and [ mm ]) are Subject to Manufacturing Tolerances and Change Without Notice



A Pipe Size In.	Approx Wt. Lbs. [kg]	Grate Open Area Sq. In. [cm <sup>2</sup> ]
2-3-4 [51-76-102]	28 [13]	17 [110]

**ENGINEERING SPECIFICATION: ZURN Z1940**

Sani-Flor Receptor 12 x 6 x 8 [305 x 152 x 203] deep cast iron body and rectangular square hole light-duty grate, with white acid resisting epoxy coated interior and top, complete with white ABS anti-splash interior bottom dome strainer.

**OPTIONS** (Check/specify appropriate options)

**PIPE SIZE**

- 2-3-4 [51-76-102]
- 2-3-4 [51-76-102]
- 2-3-4 [51-76-102]

**OUTLET** (Specify size/type)

- \_\_\_ IC Inside Caulk
- \_\_\_ NH No-Hub
- \_\_\_ NL Neo-Loc

**'E' BODY HT. DIMENSION**

Z	ZN
10-1/2 [267]	10-7/8 [276]
10-1/2 [267]	10-7/8 [276]
10 [254]	10-3/8 [264]

**PREFIXES**

- \_\_\_ Z Cast Iron Body with White A.R.C. Interior\*
- \_\_\_ ZN Cast Iron Body with White A.R.C. Interior, 13 x 7 [330 x 178] N.B. Frame and Full Grate with 3/8 [10] Square Openings+

+Add 1 [25] to 12 [305] and 6 [152] Dimensions

**SUFFIXES**

- |  |  |
|--|--|
| ___ -K Anchor Flange   | ___ -8 Grate w/ 8-7/8 x 3-5/8 x 3-3/4 [225 x 92 x 95] High Oval Funnel |
| ___ -KC Anchor Flange with Seepage Holes and Clamp Collar            | ___ -11 Vandal-Proof Secured Grate (ZN Only)                           |
| ___ -LD (Less) Bottom Dome Strainer                                  | ___ -12 Depressed Aluminum Grate (ZN Only)                             |
| ___ -P 1/2 [13] Trap Primer Connection                               | ___ -15 Solid Loose Set Cover  |
| ___ -S Secondary Strainer  | ___ -16 1/2 Solid Loose Set Cover                                      |
| ___ -TC Neo-Loc Test Cap Gasket (2-4 [51-102] NL Bottom Outlet Only) | ___ -17 3/4 Solid Loose Set Cover                                      |
| ___ -1 (Less) Grate  | ___ -23 Aluminum Bucket  |
| ___ -2 1/2 Grate   | ___ -25 White A.R.C. Bucket  |
| ___ -3 3/4 Grate   | ___ -31 Stainless Steel Mesh Liner for Bucket                          |
| ___ -4 Full Grate with Square Center Opening                         | ___ -32 Aluminum Dome Strainer   |
| ___ -5 Grate w/ 4 [102] Dia. x 3-3/4 [95] High Funnel                | ___ -33 White A.R.C. Anti-Splash Bottom Dome Strainer                  |
| ___ -6 Grate w/ 6 [102] Dia. x 6 [152] High Funnel                   |  |
| ___ -7 Grate w/ 6-3/4 x 3 x 1 [171 x 76 x 25] High Oval Funnel       |  |

\*REGULARLY FURNISHED UNLESS OTHERWISE SPECIFIED

REV. J	DATE: 8/4/11	C.N. NO. 121824
DWG. NO. 59348	PRODUCT NO. Z1940	