



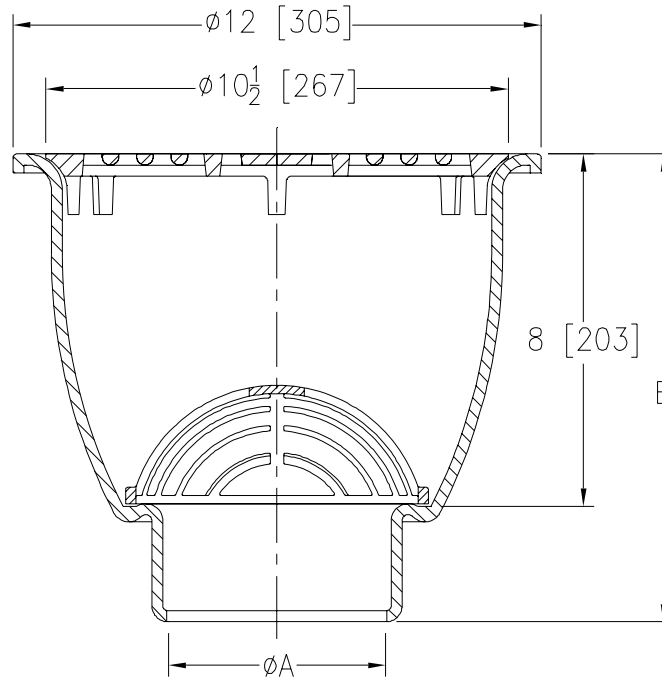
# Z1950

SPECIFICATION SHEET

## 12 [305] DIAMETER A.R.E. SANI-FLOR RECEPTOR 8 [203] SUMP DEPTH

TAG \_\_\_\_\_

Dimensional Data (inches and [ mm ]) are Subject to Manufacturing Tolerances and Change Without Notice



A- Pipe Size In.	Approx Wt. Lbs. [kg]	Grate Open Area Sq. In. [cm <sup>2</sup> ]
2-3-4 [51-76-102]	34 [15]	22 [142]

### ENGINEERING SPECIFICATION: ZURN Z1950

Sani-Flor Receptor 12 [305] Dia. x 8 [203] deep cast iron body and round slotted light duty grate, with white acid resisting porcelain enamel interior and top, complete with white ABS anti-splash interior bottom dome strainer.

### OPTIONS (Check/specify appropriate options)

#### PIPE SIZE

- 2-3-4 [51-76-102]
- 2-3-4 [51-76-102]
- 2-3-4 [51-76-102]

#### (Specify size/type) OUTLET

- \_\_\_ IC Inside Caulk
- \_\_\_ NH No-Hub
- \_\_\_ NL Neo-Loc

#### 'E' BODY HT. DIMENSION

Z	ZN
10-5/8 [270]	11 [279]
10-5/8 [270]	11 [279]
10 [254]	10-3/8 [264]

#### PREFIXES

- \_\_\_ Z Cast Iron Body with White A.R.E. Interior\*
- \_\_\_ ZN Cast Iron Body with White A.R.E. Interior, 12-1/2 [321] N.B. Frame and Full Grate with 1/2 [13] Square Openings  
+Add 1/2 [13] to 12 [305] Dim.

#### SUFFIXES

- \_\_\_ -K Anchor Flange
- \_\_\_ -KC Anchor Flange with Seepage Holes and Clamp Collar
- \_\_\_ -LD (Less) Bottom Dome Strainer
- \_\_\_ -P 1/2 [13] Trap Primer Connection (See Z1023)
- \_\_\_ -TC Neo-Loc Test Cap Gasket (2 - 4 [51 - 102] NL Bottom Outlet Only)
- \_\_\_ -1 (Less) Grate
- \_\_\_ -2 1/2 Grate
- \_\_\_ -3 3/4 Grate
- \_\_\_ -4 Full Grate with Center Opening
- \_\_\_ -5 Grate w/ 4 [102] Dia. x 3-3/4 [95] High Funnel
- \_\_\_ -6 Grate w/ 6 [152] Dia. x 6 [152] High Funnel
- \_\_\_ -7 Grate w/ 6-3/4 x 3 x 1 [171 x 76 x 25] High Oval Funnel
- \_\_\_ -8 Grate w/ 8-7/8 x 3-5/8 x 3-3/4 [225 x 92 x 95] High Oval Funnel
- \_\_\_ -11 Vandal-Proof Secured Grate (ZN Only)
- \_\_\_ -12 Depressed Aluminum Grate (ZN Only)
- \_\_\_ -15 Solid Loose Set Cover
- \_\_\_ -16 1/2 Solid Loose Set Cover
- \_\_\_ -17 3/4 Solid Loose Set Cover
- \_\_\_ -18 Solid Loose Set Cover with Sq. Center Opening
- \_\_\_ -23 Aluminum Bucket
- \_\_\_ -25 White A.R.C. Bucket
- \_\_\_ -31 Stainless Steel Mesh Liner for Bucket
- \_\_\_ -32 Aluminum Dome Strainer
- \_\_\_ -33 White A.R.C. Anti-Splash Bottom Dome Strainer

REV. E      DATE: 01/15/07      C.N. NO. 96058

DWG. NO. 59349

PRODUCT NO. Z1950

\*REGULARLY FURNISHED UNLESS OTHERWISE SPECIFIED