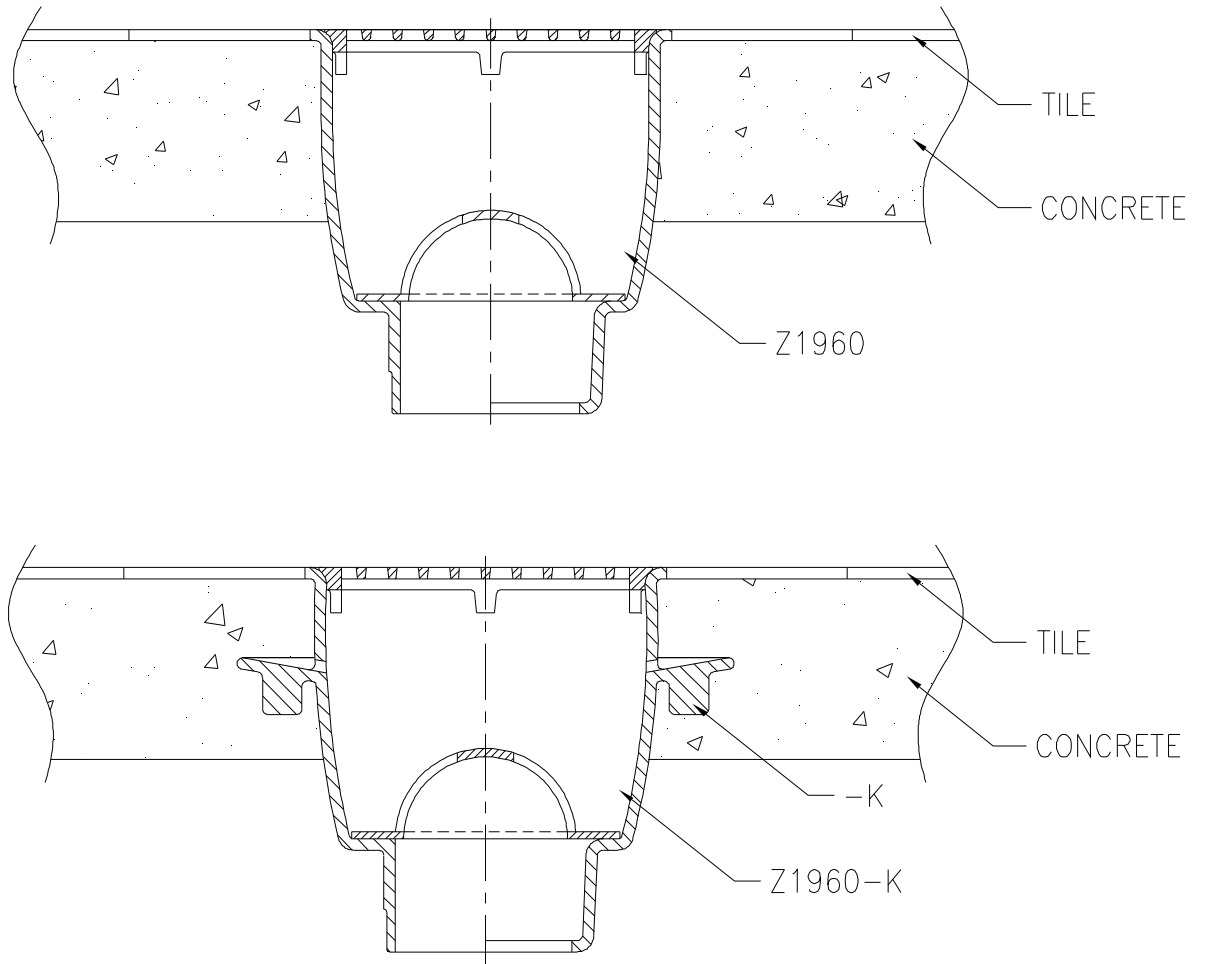




TYPICAL INSTALLATION FOR Z1960 & Z1960-K CONCRETE DECK WITH TILE

Dimensional Data (inches and [mm]) are Subject to Manufacturing Tolerances and Change Without Notice



Z1960 & Z1960-K CONCRETE DECK WITH TILE

Drain installed in a concrete deck with a tiled finish.

Form # FS16

Date: 5/16/07

C.N. No. 96627

Rev.