

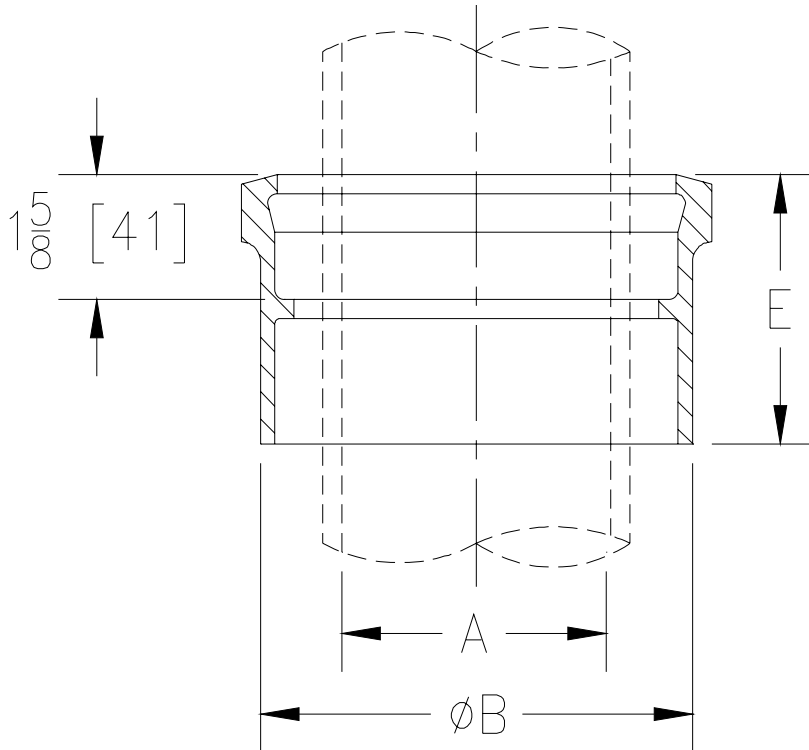


# Z196 VENT STACK FLASHING SLEEVE

SPECIFICATION SHEET

TAG \_\_\_\_\_

Dimensional Data (inches and [ mm ]) are Subject to Manufacturing Tolerances and Change Without Notice



Dimensions in In [mm]		Approx. Wt. Lbs. [kg]
A- Pipe Size In.	B	
1-1/2 [38]	3 [76]	2 [1]
2 [51]	3-1/2 [89]	3 [1]
3 [76]	4-3/4 [121]	4 [2]
4 [102]	5-5/8 [143]	4 [2]
5 [127]	6-3/4 [171]	6 [3]
6 [152]	7-3/4 [197]	7 [3]

**ENGINEERING SPECIFICATION: ZURNZ196**

Vent Stack Flashing Sleeve, Dura-Coated cast iron body, inside caulk type.

**OPTIONS** (Check/specify appropriate options)

**PIPE SIZE**

1-1/2, 2 thru 6 [38, 51 thru 152]

(Specify size/type) **OUTLET**

\_\_\_ IC Inside Caulk

**'E' BODY HT. DIM.**

3-1/2 [89]

**PREFIXES**

\_\_\_ Z D.C.C.I. Body\*

**SUFFIXES**

\_\_\_ -G Galvanized Cast Iron

REV. D

DATE: 10/21/10

C.N. NO. 111916

DWG. NO. 58838

PRODUCT NO. Z196

\*REGULARLY FURNISHED UNLESS OTHERWISE SPECIFIED

ZURN INDUSTRIES, LLC ♦ SPECIFICATION DRAINAGE OPERATION ♦ 1801 Pittsburgh Ave. ♦ Erie, PA 16514

Phone: 814/455-0921 ♦ Fax: 814/454-7929 ♦ World Wide Web: www.zurn.com

In Canada: ZURN INDUSTRIES LIMITED ♦ 3544 Nashua Drive ♦ Mississauga, Ontario L4V1L2 ♦ Phone: 905/405-8272 Fax: 905/405-1292