

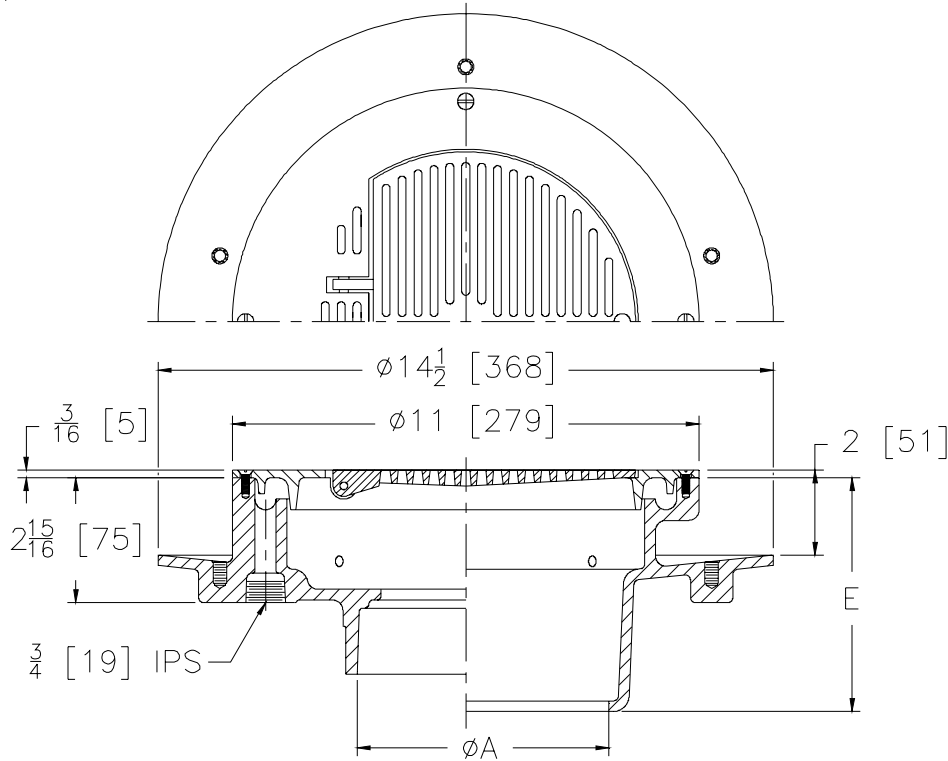


Z310 THOROFLUSH DRAIN

SPECIFICATION SHEET

TAG _____

Dimensional Data (inches and [mm]) are Subject to Manufacturing Tolerances and Change Without Notice



A Pipe Size	Approx. Wt. Lbs. [kg]	Grate Open Area Sq. In. cm ²
2-3-4-6 [51-76-102-152]	20 [9]	18 [116]

ENGINEERING SPECIFICATION: ZURN ZN310
 11 [279] Top Thoroflush Drain, cast iron body with white acid resistant epoxy coated exterior and interior, bottom outlet with seepage pan, nickel bronze flushing rim top and slotted hinged grate.

OPTIONS (Check/specify appropriate options)

PIPE SIZE

- 2-3-4-6 [51-76-102-152]
- 2-3-4-6 [51-76-102-152]
- 2-3-4-6 [51-76-102-152]
- 2-3-4 [51-76-102]

(Specify size/type) **OUTLET**

- _____ IC Inside Caulk
- _____ IG Inside Gasket
- _____ IP Threaded
- _____ NL Neo-Loc

'E' BODY HT. DIM.

- 5-1/2 [140]
- 5-1/2 [140]
- 5-1/2 [140]
- 4-5/8 [117]

PREFIXES

- _____ ZB Cast Iron Body w/ A.R.C. Interior and Exterior w/ Polished Bronze Top
- _____ ZN Cast Iron Body w/ A.R.C. Interior and Exterior w/ Polished Nickel Bronze Top*

SUFFIXES

- _____ -C Clamping Collar
- _____ -DX Dex-o-tex Flange (Std. Top Only)
- _____ -FG Free Set Grate
- _____ -IG Integral Grate
- _____ -NE Spark Proof Non-Conductive Top
- _____ -ST Solid Hinged Top
- _____ -TC Neo-Loc Test Cap Gasket (2 [51]-4 [102] NL Bottom Outlet Only)
- _____ -VP Vandal-Proof Screws In Frame
- _____ -WB Water Supply Control Box (See Z1464)

*REGULARLY FURNISHED UNLESS OTHERWISE SPECIFIED

REV. I	DATE: 02/16/11	C.N. NO. 120875
DWG. NO. 58971	PRODUCT NO. Z310	