



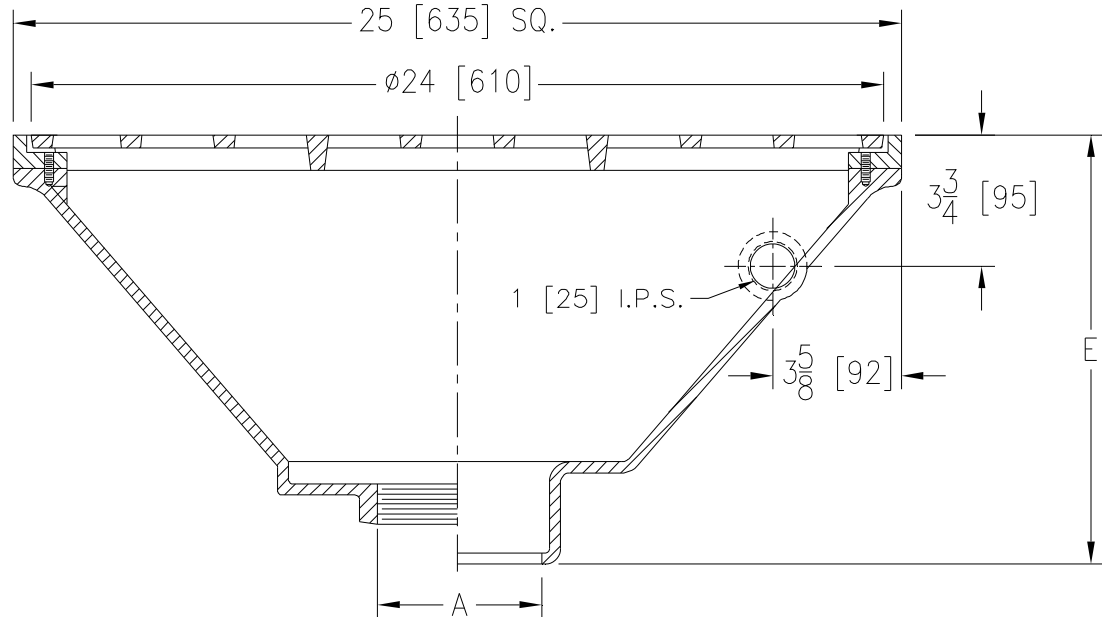
# Z319

## THOROFLUSH DRAIN LARGE CAPACITY

SPECIFICATION SHEET

TAG \_\_\_\_\_

Dimensional Data (inches and [ mm ]) are Subject to Manufacturing Tolerances and Change Without Notice



A-Pipe Size Inches	Approx. Wt. Lbs. [kg]	Grate Open Area Sq. In. [cm <sup>2</sup> ]
3-4-5-6-8 [76-102-127-152-203]	118 [54]	232 [1497]

**ENGINEERING SPECIFICATION: ZURN ZN319**

25 [635] Large Capacity Thoroflush Drain, cast iron body with white acid resistant coating, bottom outlet, and nickel bronze top frame and grate with flushing connection body.

**OPTIONS** (Check/specify appropriate options)

**PIPE SIZE**

- 3 thru 6-8 [76 thru 152-203]
- 3-4-6 [76-102-152]
- 3 thru 6-8 [76 thru 152-203]

(Specify size/type) **OUTLET**

- \_\_\_\_\_ IC Inside Caulk
- \_\_\_\_\_ IG Inside Gasket
- \_\_\_\_\_ IP Threaded

**'E' BODY HT. DIM.**

- 12-1/8 [308]
- 12-1/8 [308]
- 11 [279]

**PREFIXES**

- \_\_\_\_\_ ZB Cast Iron Body w/Acid Resistant Coating and Polished Bronze Top
- \_\_\_\_\_ ZN Cast Iron Body w/Acid Resistant Coating and Polished Nickel Bronze Top\*

**SUFFIXES**

- \_\_\_\_\_ -DX Dex-o-tex Flange
- \_\_\_\_\_ -G Galvanized Cast Iron
- \_\_\_\_\_ -P Trap Primer Connection
- \_\_\_\_\_ -V Backwater Valve (See Z1099)
- \_\_\_\_\_ -VP Vandal-Proof Secured Top
- \_\_\_\_\_ -WB Water Supply Control Box (See Z1464)
- \_\_\_\_\_ -Y Sediment Bucket

\*REGULARLY FURNISHED UNLESS OTHERWISE SPECIFIED

<b>REV. G</b>	<b>DATE: 11/08/10</b>	<b>C.N. NO. 120296</b>
<b>DWG. NO. 58973</b>		<b>PRODUCT NO. Z319</b>

ZURN INDUSTRIES, LLC ♦ SPECIFICATION DRAINAGE OPERATION ♦ 1801 Pittsburgh Ave. ♦ Erie, PA 16514

Phone: 814/455-0921 ♦ Fax: 814/454-7929 ♦ World Wide Web: www.zurn.com

In Canada: ZURN INDUSTRIES LIMITED ♦ 3544 Nashua Drive ♦ Mississauga, Ontario L4V1L2 ♦ Phone: 905/405-8272 Fax: 905/405-1292