

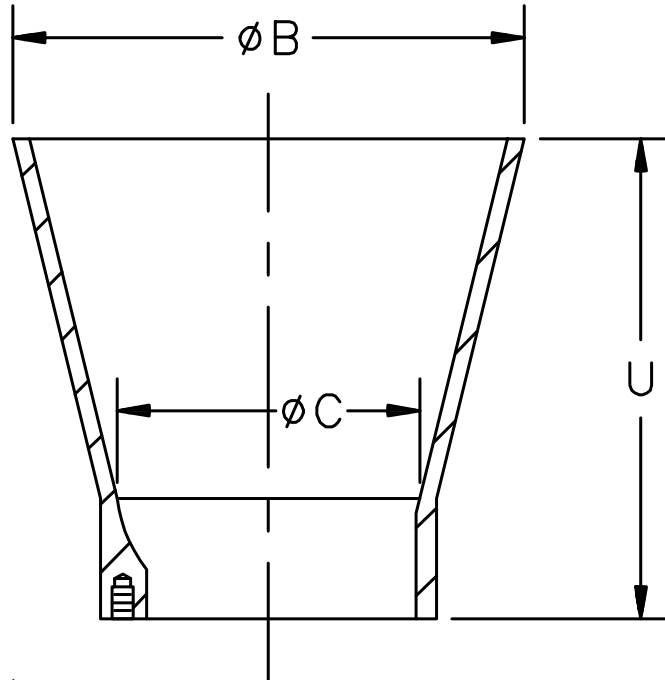


Z328
FUNNEL CONVERTING ASSEMBLY

SPECIFICATION SHEET

TAG _____

Dimensional Data (inches and [mm]) are Subject to Manufacturing Tolerances and Change Without Notice



Engineering Specification: ZURN Z328
4 [102] or 6 [152] (specify) Diameter Funnel Converting Assembly, Dura-Coated cast iron (or finish to suit drain top), with necessary fasteners to secure funnel to strainer.

| Product Designation | Dimensions In Inches | | | Approx. Wt. Lbs. [kg] |
|---------------------|----------------------|------------|------------|-----------------------------|
| | B | C | U | |
| -4 | 4 [102] | 2-1/4 [57] | 3-3/4 [95] | 2 [1] |
| -6 | 6 [152] | 2-7/8 [73] | 6 [152] | 5 [2] |

Options (Check/specify appropriate options)

Prefixes

- ___ Z D.C.C.I Funnel*
- ___ ZB Polished Bronze Funnel
- ___ ZN Polished Nickel Bronze Funnel

Suffixes

- ___ -AR Acid Resisting Epoxy Coated Cast Iron
- ___ -G Galvanized Cast Iron

* Regularly furnished unless otherwise specified.