



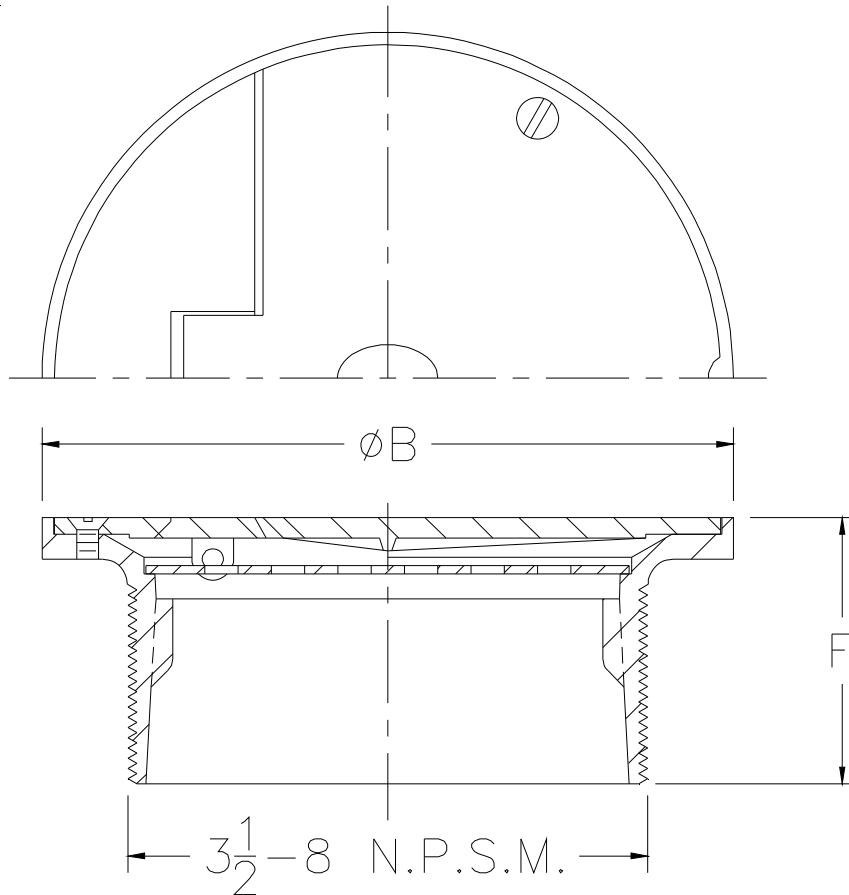
Z400D

"TYPE D" ROUND STRAINER W/ SOLID HINGED COVER

SPECIFICATION SHEET

TAG _____

Dimensional Data (inches and [mm]) are Subject to Manufacturing Tolerances and Change Without Notice



Strainer Designation	Dimension in Inches		Approx. Wt. Lbs. [kg]
	Size B	Height F	
-5D	5 [127]	2 [51]	3 [1]
-6D	6 [152]	2-1/4 [57]	4 [2]
-7D	7 [178]	2-5/8 [67]	5 [2]
-8D	8 [203]	2-5/8 [67]	6 [3]

ENGINEERING SPECIFICATION: ZURN Z()400D "TYPE D" round adjustable light-duty strainer top with solid hinged cover, and secondary strainer. (Specify ZB or ZN finish)

OPTIONS (Check/specify appropriate options)

PREFIXES

- ___ ZB Polished Bronze Top
- ___ ZN Polished Nickel Bronze Top

SUFFIXES

- ___ -CP Chrome Plated Bronze Top
- ___ -PC Protective Cover
- ___ -V Backwater Valve
- ___ -VP Vandal-Proof Secured Top
- ___ -Y Sediment Bucket

* Regularly furnished unless otherwise specified.