



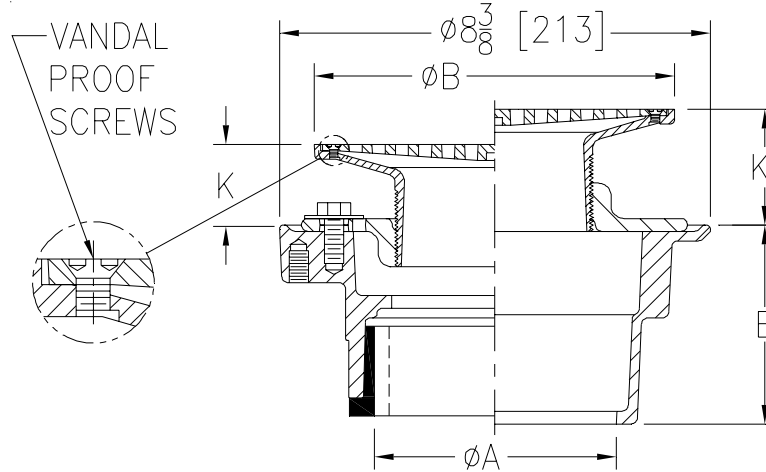
# Z415B-VP

## BODY ASSEMBLY W/ "TYPE B" STRAINER & VANDAL-PROOF SCREWS

SPECIFICATION SHEET

TAG \_\_\_\_\_

Dimensional Data (inches and [ mm ]) are Subject to Manufacturing Tolerances and Change Without Notice



Dimensions In Inches						Approx. Wt. Lbs. [kg]	Strainer Open Area Sq. In. [cm <sup>2</sup> ]
A - Pipe Size	B Strainer Dia.	K		K'			
		Min.	Max.	Min.	Max.		
2-3 [51-76]	5 [127]	1/2 [13]	1 5/8 [41]	1 3/8 [35]	2 3/8 [60]	11 [5]	8 [52]
2-3-4 [51-76-102]	6 [152]	3/4 [19]	1 3/4 [44]	1 5/8 [41]	2 3/4 [70]	13 [6]	9 [58]
2-3-4 [51-76-102]	7 [178]	1 [25]	2 1/4 [57]	2 [51]	3 1/8 [79]	14 [6]	12 [77]
3-4 [76-102]	8 [203]	1 1/8 [29]	2 1/4 [57]	2 [51]	3 1/8 [79]	16 [7]	18 [116]
6 [152]	8 [203]	1 1/8 [29]	2 1/4 [57]	2 [51]	3 1/8 [79]	18 [8]	18 [116]
6 [152]	10 [254]	1 5/8 [41]	2 5/8 [67]	2 5/8 [67]	3 1/2 [89]	22 [10]	26 [168]

**ENGINEERING SPECIFICATION:** ZURNZN415B-VP

Floor and shower drain, Dura-Coated cast iron body with bottom outlet, combination invertible membrane clamp and adjustable collar with seepage slots and "TYPE B" polished nickel bronze strainer with vandal-proof screws.

**OPTIONS** (Check/specify appropriate options)

**PIPE SIZE** (Specify size)

- 2 thru 4 [51 thru 102]
- 2 thru 4 [51 thru 102]
- 2 [51]
- 3 [76]
- 4 [102]
- 6 [152]
- 2 thru 4 [51 thru 102]
- 2 thru 4 [51 thru 102]

(Specify size/type) **OUTLET**

- \_\_\_\_\_ IC Inside Caulk
- \_\_\_\_\_ IG Inside Gasket
- \_\_\_\_\_ IP Threaded
- \_\_\_\_\_ IP Threaded
- \_\_\_\_\_ IP Threaded
- \_\_\_\_\_ IP Threaded
- \_\_\_\_\_ NH No-Hub
- \_\_\_\_\_ NL Neo-Loc

**'E' BODY HT. DIM.**

- 3 7/8 [98]
- 3 7/8 [98]
- 2 3/8 [60]
- 2 5/8 [67]
- 2 7/8 [73]
- 2 3/4 [70]
- 3 7/8 [98]
- 3 3/4 [95]

**PREFIXES**

- \_\_\_\_\_ ZB D.C.C.I. Body Assembly w/Polished Bronze Top
- \_\_\_\_\_ ZN D.C.C.I. Body Assembly w/Polished Nickel Bronze Top\*

**SUFFIXES**

- |   |   |
|---|---|
| <ul style="list-style-type: none"> <li>_____ -AA All Acid Resisting Epoxy</li> <li>_____ -AR Acid Resisting Epoxy Coated Cast Iron</li> <li>_____ -DP Decorative Polished Top</li> <li>_____ -EF 3/16 [5] Extension Frame (5 [127] and 6 [152] Only)</li> <li>_____ -G Galvanized Cast Iron</li> <li>_____ -HD Heavy Duty Slotted Grate (ZN 5 [127] and 6 [152] Sizes Only)</li> <li>_____ -OF Oval Funnel (Z329) (6 - 10 [152 - 254] Strainers Only)</li> <li>_____ -P Trap Primer Connection (Specify 1/2 [13] or 3/4 [19])</li> <li>_____ -SR Stabilizer Ring</li> <li>_____ -TC Neo-Loc Test Cap Gasket (2 [51] - 4 [102] NL Outlet Only)</li> <li>_____ -U 1 - 3 [25 - 76] High Extension Adapter</li> </ul> | <ul style="list-style-type: none"> <li>_____ -V Backwater Valve</li> <li>_____ -W Winter Closure Plug</li> <li>_____ -Y Sediment Bucket</li> <li>_____ -4 4 [102] Diameter Funnel (Z328)</li> <li>_____ -90 90° Threaded Side Outlet Body Assembly (2 [51], 3 [76] Only)</li> </ul> |
|---|---|

\*REGULARLY FURNISHED UNLESS OTHERWISE SPECIFIED

<b>REV.</b>	<b>DATE: 08/07/06</b>	<b>C.N. NO. 95408</b>
<b>DWG. NO. 82825</b>	<b>PRODUCT NO. Z415B-VP</b>	

ZURN INDUSTRIES, INC. ♦ SPECIFICATION DRAINAGE OPERATION ♦ 1801 Pittsburgh Ave. ♦ Erie, PA 16514

Phone: 814/455-0921 ♦ Fax: 814/454-7929 ♦ World Wide Web: www.zurn.com

In Canada: ZURN INDUSTRIES LIMITED ♦ 3544 Nashua Drive ♦ Mississauga, Ontario L4V1L2 ♦ Phone: 905/405-8272 Fax: 905/405-1292