



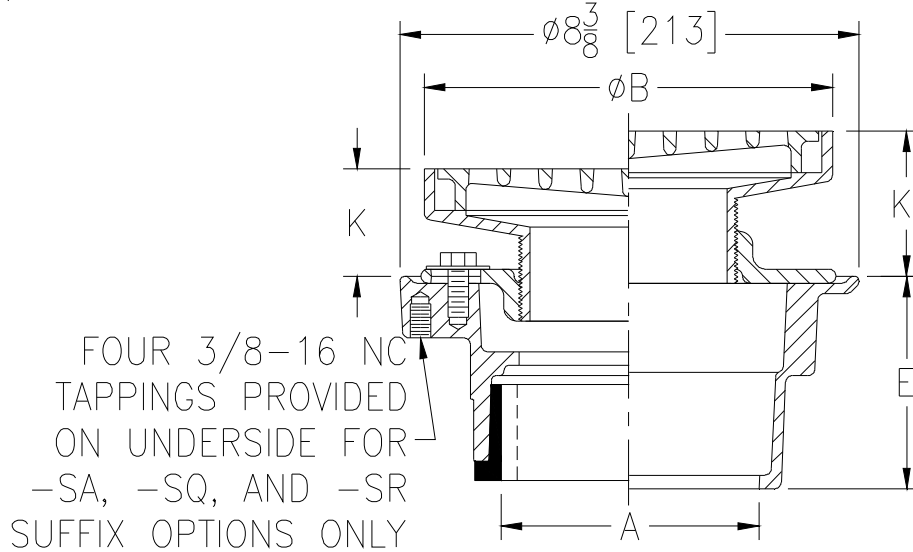
Z415N

BODY ASSEMBLY W/ "TYPE N" STRAINER

SPECIFICATION SHEET

TAG _____

Dimensional Data (inches and [mm]) are Subject to Manufacturing Tolerances and Change Without Notice



Dimensions In Inches						Approx. Wt. Lbs. [kg]	Strainer Open Area Sq. In. [cm ²]
A - Pipe Size	B Strainer Dia.	K		K'			
		Min.	Max.	Min.	Max.		
2-3-4 [51-76-102]	7 [178]	1-9/16 [40]	2-3/8 [60]	1-7/8 [48]	3-1/8 [79]	17 [8]	12 [77]
2-3-4 [51-76-102]	9 [229]	1-11/16 [43]	2-5/8 [67]	2 3/16 [56]	3-3/8 [86]	21 [10]	23 [148]
6 [152]	9 [229]	1-11/16 [43]	2-5/8 [67]	2 3/16 [56]	3-3/8 [86]	23 [10]	23 [148]

ENGINEERING SPECIFICATION: ZURNZ415N

Floor and shower drain, Dura-Coated cast iron body with bottom outlet, combination invertible membrane clamp and adjustable collar with seepage slots and "TYPE N" D.C.C.I. light-duty strainer with deep flanged grate.

OPTIONS (Check/specify appropriate options)

PIPE SIZE

- 2 thru 4 [51 thru 102]
- 2 thru 4 [51 thru 102]
- 2 [51]
- 3 [76]
- 4 [102]
- 6 [152]
- 2 thru 4 [51 thru 102]
- 2 thru 4 [51 thru 102]

(Specify size/type) **OUTLET**

- _____ IC Inside Caulk
- _____ IG Inside Gasket
- _____ IP Threaded
- _____ IP Threaded
- _____ IP Threaded
- _____ IP Threaded
- _____ NH No-Hub
- _____ NL Neo-Loc

'E' BODY HT. DIM.

- 3-7/8 [98]
- 3-7/8 [98]
- 2-3/8 [60]
- 2-5/8 [67]
- 2-7/8 [73]
- 2-3/4 [70]
- 3-7/8 [98]
- 3-3/4 [95]

PREFIXES

- _____ Z D.C.C.I. Body Assembly w/ Dura-Coated Top*
- _____ ZB D.C.C.I. Body Assembly w/ Polished Bronze Top
- _____ ZN D.C.C.I. Body Assembly w/ Polished Nickel Bronze Top

SUFFIXES

- | | |
|--|--|
| <ul style="list-style-type: none"> _____ -AR Acid Resisting Epoxy Coated Cast Iron _____ -DG Duresist Grate _____ -G Galvanized Cast Iron _____ -P Trap Primer Connection (Specify 1/2 [13] or 3/4 [19]) _____ -SA Stabilizer Assembly (See Z1035) _____ -SQ Stabilizer Q-Deck (See Z1035-Q) _____ -SR Stabilizer Ring _____ -TC Neo-Loc Test Cap Gasket
(2 - 4 [51 - 76] NL Bottom Outlet Only) _____ -TS Top Secured with Slotted Screws | <ul style="list-style-type: none"> _____ -U 1 - 3 [25 - 76] High Extension Adapter _____ -V Backwater Valve _____ -VP Vandal-Proof Secured Top _____ -Y Sediment Bucket _____ -18 Leveling Ring (See Z400-18) _____ -90 90° Threaded Side Outlet Body
Assembly (2 [51], 3 [76] Only) |
|--|--|

*REGULARLY FURNISHED UNLESS OTHERWISE SPECIFIED

REV. J	DATE: 06/21/11	C.N. NO. 121452
DWG. NO. 58800		PRODUCT NO. Z415N

ZURN INDUSTRIES, LLC ♦ SPECIFICATION DRAINAGE OPERATION ♦ 1801 Pittsburgh Ave. ♦ Erie, PA 16514

Phone: 814/455-0921 ♦ Fax: 814/454-7929 ♦ World Wide Web: www.zurn.com

In Canada: ZURN INDUSTRIES LIMITED ♦ 3544 Nashua Drive ♦ Mississauga, Ontario L4V1L2 ♦ Phone: 905/405-8272 Fax: 905/405-1292