



ILLUSTRATED FLOOR DRAINS Z-415-90, Z-508-90, Z-541-90

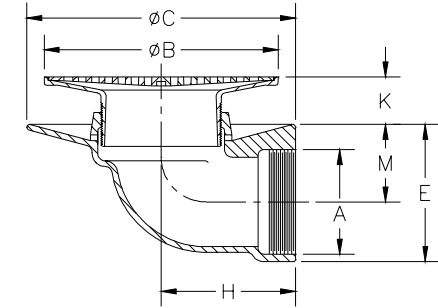
Dimensional Data (inches and [mm]) are Subject to Manufacturing Tolerances and Change Without Notice

Z-415-90, Z-508-90, Z-541-90 FLOOR DRAINS

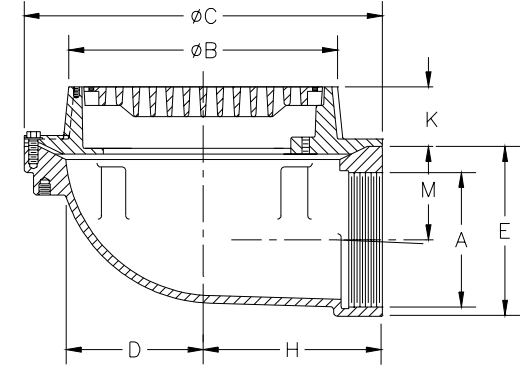
Typifies a Zurn floor drain with a 90° side outlet. Drains of this type are designed for applications which require horizontal piping where depth is a problem. The (-90) 90° side outlet option is available on various types of Zurn floor drains.
See chart below for dimensional data.

Product No.	A	B	C	D	E	H	K	M
Z-415-90	2 [51]	6 [152]	9 [229]	-	4-3/8 [111]	4-1/2 [114]	1 [25] Min.	3-1/2 [89]
	3 [76]	7 [178]	9 [229]	-	4-3/8 [111]	4-1/2 [114]	2 [51] Max.	2-1/2 [63]
Z-505-90	2 [51]	12-1/4 [317]	15 [381]	5-1/2 [140]	5-3/4 [146]	7-1/2 [190]	2 [51]	4-1/8 [105]
Z-509-90	3 [76]	12-1/4 [317]	15 [381]	5-3/4 [146]	5-3/4 [146]	7-1/2 [190]	2 [51]	3-5/8 [92]
Z-512-90	4 [102]	12-1/4 [317]	15 [381]	5-3/4 [146]	5-3/4 [146]	7-1/2 [190]	2 [51]	4-3/4 [121]
Z-540-90	5 [127]	12-1/4 [317]	15 [381]	5-7/8 [150]	7-7/8 [200]	7-1/2 [190]	2 [51]	4-3/4 [121]
Z-541-90	6 [152]	12-1/4 [317]	15 [381]	5-7/8 [150]	7-7/8 [200]	7-1/2 [190]	2 [51]	4-1/4 [108]
Z-610-90								
Z-508-90	2 [51]	9 [229]	12 [305]	4-3/4 [121]	5-3/4 [146]	6 [152]	2 [51]	4-1/8 [105]
Z-550-90	3 [76]	9 [229]	12 [305]	4-3/4 [121]	5-3/4 [146]	6 [152]	2 [51]	3-5/8 [92]
Z-554-90	4 [102]	9 [229]	12 [305]	4-3/4 [121]	5-3/4 [146]	6 [152]	2 [51]	3-1/8 [73]
Z-555-90	5 [127]	9 [229]	12 [305]	4-3/4 [121]	5-3/4 [146]	6-1/2 [165]	2 [51]	3-5/8 [92]

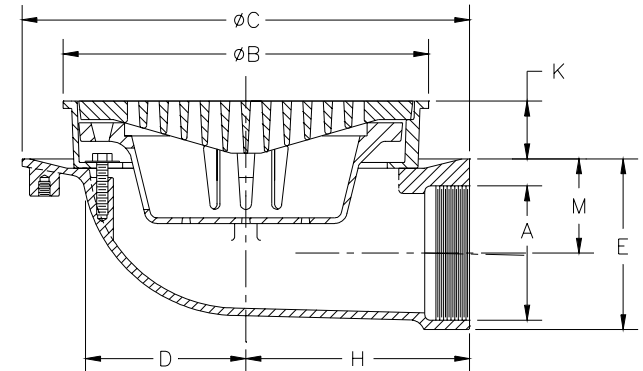
Z-415-90



Z-508-90



Z-541-90



Form # FD19

Date: 8/5/99

C.N. No. 83048

Rev.

ZURN INDUSTRIES, INC. ♦ SPECIFICATION DRAINAGE OPERATION ♦ 1801 Pittsburgh Ave. ♦ Erie, PA 16514

Phone: 814/455-0921 ♦ Fax: 814/454-7929 ♦ World Wide Web: www.zurn.com

In Canada: ZURN INDUSTRIES LIMITED ♦ 3544 Nashua Drive ♦ Mississauga, Ontario L4V1L2 ♦ Phone: 905/405-8272 Fax: 905/405-1292