



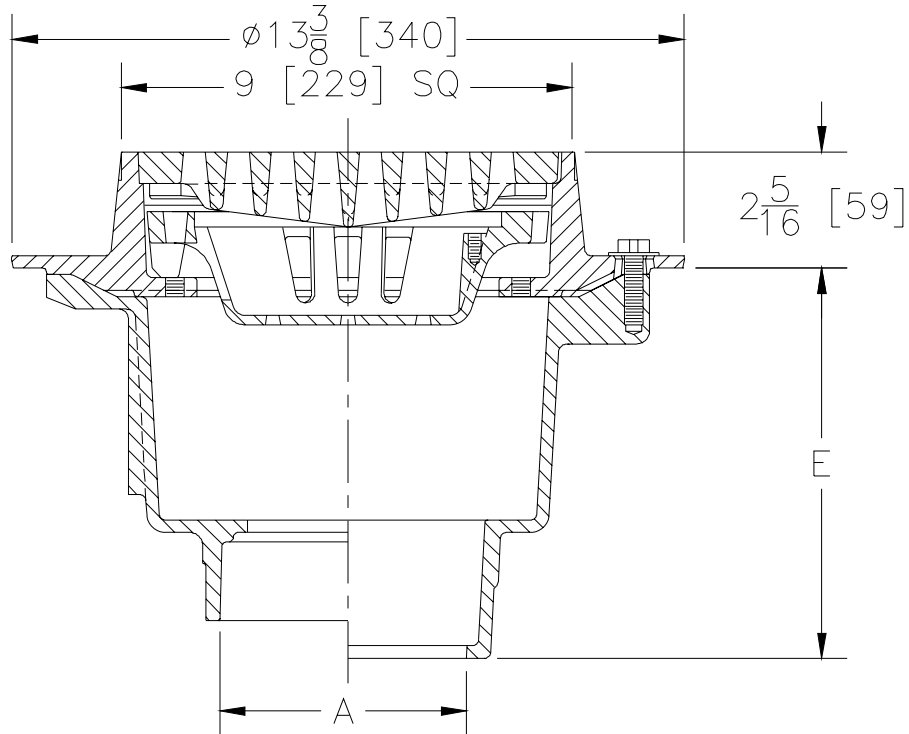
Z513

9 [229] SQUARE HINGED HEAVY-DUTY DRAIN

SPECIFICATION SHEET

TAG _____

Dimensional Data (inches and [mm]) are Subject to Manufacturing Tolerances and Change Without Notice



A- Pipe Size In.	Approx. Wt. Lbs. [kg]	Grate Open Area Sq. In. [cm ²]
2-3-4 [51-76-102]	57 [26]	20 [129]

ENGINEERING SPECIFICATION: ZURN Z513

9 [229] Square top drain, Dura-Coated cast iron deep sump body with bottom outlet, seepage pan and combination flashing clamp and frame for hinged heavy-duty slotted grate with suspended sediment bucket.

OPTIONS (Check/specify appropriate options)

PIPE SIZE

(Specify size/type) **OUTLET**

'E' BODY HT. DIM.

- 2 thru 4 [51 thru 102]
- 2 thru 4 [51 thru 102]
- 2 thru 4 [51 thru 102]

- ___ IC Inside Caulk
- ___ IG Inside Gasket
- ___ NL Neo-Loc

- 7-1/2 [190]
- 7-1/2 [190]
- 6-5/8 [168]

PREFIXES

- ___ Z D.C.C.I. Body and Top*
- ___ ZB D.C.C.I. Body with Polished Bronze Top (Add 3/16 [5] to 2-5/16 [59] Dim. & 3/4 [19] to 9 [229] Dim.)
- ___ ZN D.C.C.I. Body with Polished Nickel Bronze Top (Add 3/16 [5] to 2-5/16 [59] Dim. & 3/4 [19] to 9 [229] Dim.)

SUFFIXES

- ___ -AR Acid Resisting Epoxy Coated Cast Iron
- ___ -DG Duresist Grate
- ___ -F Extension Frame (Specify Total Height Req'd.)
- ___ -G Galvanized Cast Iron
- ___ -HL Hinged Locking Grate
- ___ -J Auxiliary Inlet Connection (Specify 1-1/2 [38] or 2 [50] IP, Number & Location)
- ___ -LY (Less) Sediment Bucket
- ___ -P Trap Primer Connection
- ___ -S Secondary Strainer
- ___ -SS Stainless Mesh Liner for Bucket
- ___ -TC Neo-Loc Test Cap Gasket (2 [51]-4 [102] NL Bottom Outlet Only)
- ___ -VP Vandal-Proof Secured Top
- ___ -W Winter Closure Plug (IC Outlet Only)

*REGULARLY FURNISHED UNLESS OTHERWISE SPECIFIED

REV. D	DATE: 11/15/10	C.N. NO. 120417
DWG. NO. 58928		PRODUCT NO. Z513

ZURN INDUSTRIES, LLC. ♦ SPECIFICATION DRAINAGE OPERATION ♦ 1801 Pittsburgh Ave. ♦ Erie, PA 16514

Phone: 814/455-0921 ♦ Fax: 814/454-7929 ♦ World Wide Web: www.zurn.com

In Canada: ZURN INDUSTRIES LIMITED ♦ 3544 Nashua Drive ♦ Mississauga, Ontario L4V1L2 ♦ Phone: 905/405-8272 Fax: 905/405-1292