



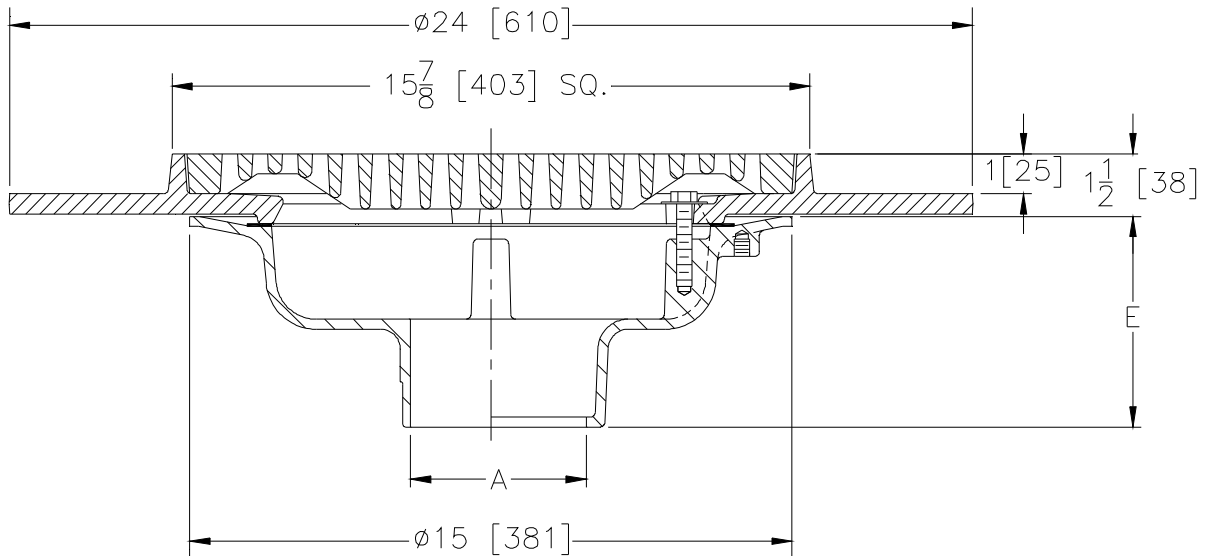
**Z537**

**16 [406] SQUARE TOP HEAVY-DUTY PARKING DECK DRAIN W/ SUPPORT FLANGE**

SPECIFICATION SHEET

TAG \_\_\_\_\_

Dimensional Data (inches and [ mm ]) are Subject to Manufacturing Tolerances and Change Without Notice



A- Pipe Size In.	Approx. Wt. Lbs. [kg]	Grate Open Area Sq. In. [cm <sup>2</sup> ]
2-3-4-5-6 [51-76-102-127-152]	122 [55]	79 [510]
8-10 [203-254]	124 [56]	

**ENGINEERING SPECIFICATION: ZURN Z537**

16 [406] Square Top Parking Deck Drain, Dura-Coated cast iron body with bottom outlet, heavy-duty gasketed drain support flange, with heavy-duty slotted grate.

**OPTIONS** (Check/specify appropriate options)

**PIPE SIZE**

(Specify size/type) **OUTLET**

**'E' BODY HT. DIM.**

2 thru 6-8-10 [51 thru 152-203-254]	_____ IC	Inside Caulk	5-1/4 [133]
2 thru 4-6 [51 thru 102-152]	_____ IG	Inside Gasket	5-1/4 [133]
2 thru 6-8-10 [51 thru 152-203-254]	_____ IP	Threaded	3-3/4 [95]
2 thru 6-8-10 [51 thru 152-203-254]	_____ NH	No-Hub	5-1/4 [133]
2 thru 4 [51 thru 102]	_____ NL	Neo-Loc	4-5/8 [117]

**PREFIXES**

- \_\_\_\_\_ Z D.C.C.I. Body and Top\*
- \_\_\_\_\_ ZB D.C.C.I. Body with Polished Bronze Top (Add 3/16 [5] to 1-1/2 [38] Dim.)
- \_\_\_\_\_ ZN D.C.C.I. Body with Polished Nickel Bronze Top (Add 3/16 [5] to 1-1/2 [38] Dim.)

**SUFFIXES**

- \_\_\_\_\_ -C Underdeck Clamp
- \_\_\_\_\_ -DG Duresist Grate
- \_\_\_\_\_ -G Galvanized Cast Iron
- \_\_\_\_\_ -SA Stabilizer Assembly (See Z1036)
- \_\_\_\_\_ -TC Neo-Loc Test Cap Gasket (2 [51]-4 [102] NL Bottom Outlet Only)
- \_\_\_\_\_ -VP Vandal-Proof Secured Top
- \_\_\_\_\_ -XJ Vertical Expansion Joint (See Z190) (Use with IP Type Outlet)
- \_\_\_\_\_ -Y Sediment Bucket

<b>REV. F</b>	<b>DATE: 11/17/10</b>	<b>C.N. NO. 120468</b>
<b>DWG. NO. 59234</b>	<b>PRODUCT NO. Z537</b>	

\*REGULARLY FURNISHED UNLESS OTHERWISE SPECIFIED