



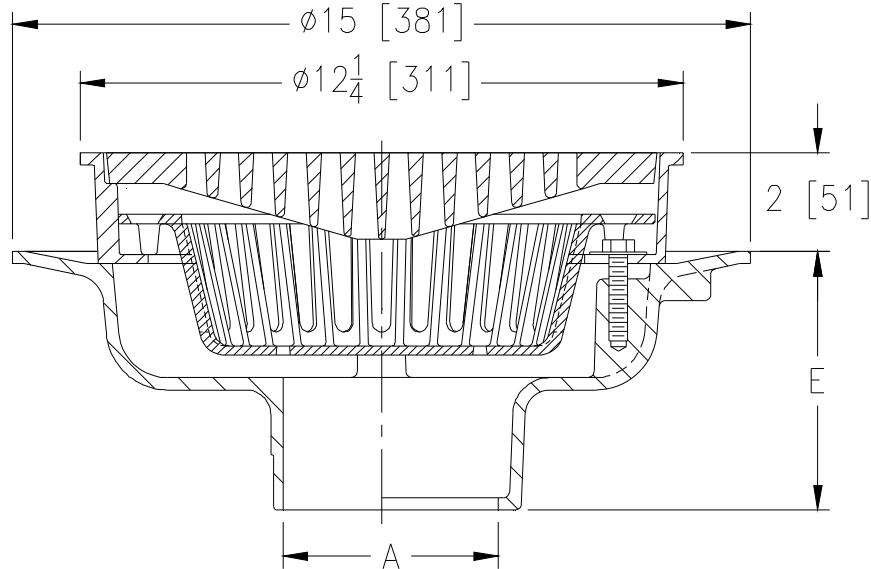
# Z541

## 12 [305] DIAMETER HEAVY-DUTY DRAIN

SPECIFICATION SHEET

TAG \_\_\_\_\_

Dimensional Data (inches and [ mm ]) are Subject to Manufacturing Tolerances and Change Without Notice



A- Pipe Size In.	Approx. Wt. Lbs. [kg]	Grate Open Area Sq. In. [cm <sup>2</sup> ]
2-3-4 [51-76-102]	51 [19]	30 [194]
5-6 [127-152]	52 [19]	
8-10 [203-254]	53 [20]	

**ENGINEERING SPECIFICATION: ZURN Z541**

12 [305] Diameter top drain. Dura-Coated cast iron body with bottom outlet, seepage pan and combination membrane flashing clamp and frame for anti-tilt heavy-duty slotted grate with suspended polypropylene sediment bucket.

**OPTIONS** (Check/specify appropriate options)

**PIPE SIZE**

- 2 thru 6, 8, 10 [51 thru 152, 203, 254]
- 2 thru 4, 6 [51 thru 102, 152]
- 2 thru 6, 8, 10 [51 thru 152, 203, 254]
- 2 thru 6, 8, 10 [51 thru 152, 203, 254]
- 2 thru 4 [51 thru 102]

(Specify size/type) **OUTLET**

- \_\_\_ IC Inside Caulk
- \_\_\_ IG Inside Gasket
- \_\_\_ IP Threaded
- \_\_\_ NH No-Hub
- \_\_\_ NL Neo-Loc

**'E' BODY HT. DIM.**

- 5-1/4 [133]
- 5-1/4 [133]
- 3-3/4 [95]
- 5-1/4 [133]
- 4-5/8 [117]

**PREFIXES**

- \_\_\_ Z D.C.C.I. Body and Top\*
- \_\_\_ ZB D.C.C.I. Body with Polished Bronze Top (Add 3/16 [5] to 2 [51] Dim and 3/4[19] to 12-1/4[311] Dim.)
- \_\_\_ ZN D.C.C.I. Body with Polished Nickel Bronze Top (Add 3/16 [5] to 2 [51] Dim and 3/4[19] to 12-1/4[311] Dim.)

**SUFFIXES**

- |   |  |
|---|--|
| <ul style="list-style-type: none"> <li>___ -AR Acid Resisting Epoxy Coated Cast Iron</li> <li>___ -D Dome Grate (D.C.C.I. only)</li> <li>___ -DG Duresist Grate</li> <li>___ -DX Dex-o-tex Flange</li> <li>___ -G Galvanized Cast Iron</li> <li>___ -H Hinged Grate</li> <li>___ -HP Heel-Proof Grate</li> <li>___ -LY (Less) Sediment Bucket</li> <li>___ -P Trap Primer Connection</li> <li>___ -PH Packing House Grate</li> <li>___ -S Secondary Strainer</li> <li>___ -SA Stabilizer Assembly (See Z1036)</li> <li>___ -SS Stainless Mesh Liner for Bucket</li> </ul> | <ul style="list-style-type: none"> <li>___ -TC Neo-Loc Test Cap Gasket (2 [51] - 4 [102] NL Bottom Outlet Only)</li> <li>___ -TG Tractor Grate</li> <li>___ -TS Top Secured with Slotted Screws</li> <li>___ -V Backwater Valve (See Z1099)</li> <li>___ -VP Vandal-Proof Secured Top</li> <li>___ -WS Wide Slotted Grate (50 sq. in open)</li> <li>___ -YC Cast Iron Sediment Bucket</li> <li>___ -90 90° Threaded Side Outlet Body (2 thru 6 [51 thru 152])</li> </ul> |
|---|--|

<b>REV. G</b>	<b>DATE: 12/17/10</b>	<b>C.N. NO. 110162</b>
<b>DWG. NO. 58944</b>		<b>PRODUCT NO. Z541</b>

\*REGULARLY FURNISHED UNLESS OTHERWISE SPECIFIED