



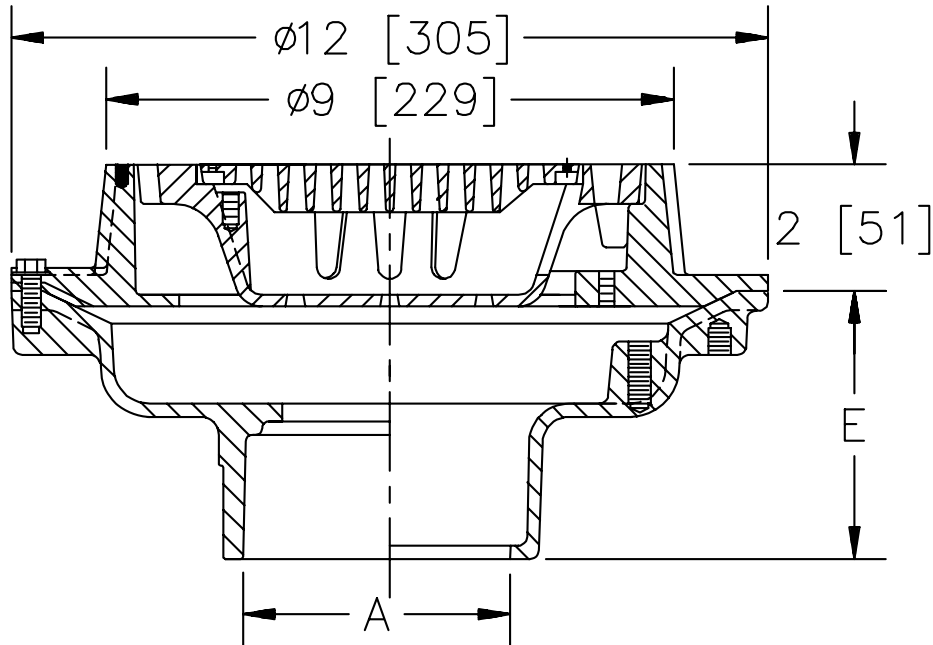
Z554

9 [229] MEDIUM-DUTY DRAIN WITH SUR-SET BUCKET

SPECIFICATION SHEET

TAG _____

Dimensional Data (inches and [mm]) are Subject to Manufacturing Tolerances and Change Without Notice



A - Pipe Size Inches [mm]	Approx. Wt. Lbs. [kg]	Grate Open Area Sq. In. [cm ²]
2-3-4 [51-76-102]	21 [10]	9 [58]

ENGINEERING SPECIFICATION: ZURN Z554

9 [229] Diameter top drain, Dura-Coated cast iron body with bottom outlet, seepage pan and combination membrane flashing clamp and frame and medium-duty cast iron grate with sur-set bucket.

OPTIONS (Check/specify appropriate options)

PIPE SIZE

2, 3, 4 [51, 76, 102]
 2, 3, 4 [51, 76, 102]
 2, 3, 4 [51, 76, 102]
 2, 3, 4 [51, 76, 102]
 2, 3, 4 [51, 76, 102]

(Specify size/type) OUTLET

___ IC Inside Caulk
 ___ IG Inside Gasket
 ___ IP Threaded
 ___ NH No-Hub
 ___ NL Neo-Loc

'E' BODY HT. DIM.

3-3/4 [95]
 3-3/4 [95]
 2-3/4 [70]
 4-3/4 [121]
 3-1/2 [89]

PREFIXES

___ Z D.C.C.I. Body and Top*
 ___ ZB D.C.C.I. Body with Polished Bronze Top (Add 3/16 [5] to 2 [51] Dim. & 3/4 [20] to 9 [229] Dim.)
 ___ ZN D.C.C.I. Body with Polished Nickel Bronze Top (Add 3/16 [5] to 2 [51] Dim. & 3/4 [20] to 9 [229] Dim.)

SUFFIXES

___ -AR Acid Resisting Epoxy Coated Cast Iron
 ___ -D Dome Grate
 ___ -G Galvanized Cast Iron
 ___ -H Hinged Grate (Z Only)
 ___ -P Trap Primer Connection
 ___ -TC Neo-Loc Test Cap Gasket
 (2 [51] - 4 [102] NL Bottom Outlet Only)
 ___ -TS Top Secured with Slotted Screws
 ___ -V Backwater Valve (See Z1099)
 ___ -VP Vandal-Proof Secured Top
 ___ -90 90° Threaded Side Outlet Body
 (2 [51] thru 4 [102])

*REGULARLY FURNISHED UNLESS OTHERWISE SPECIFIED

REV.D	DATE: 11/17/10	C.N. NO. 120477
DWG. NO. 58949	PRODUCT NO. Z554	