



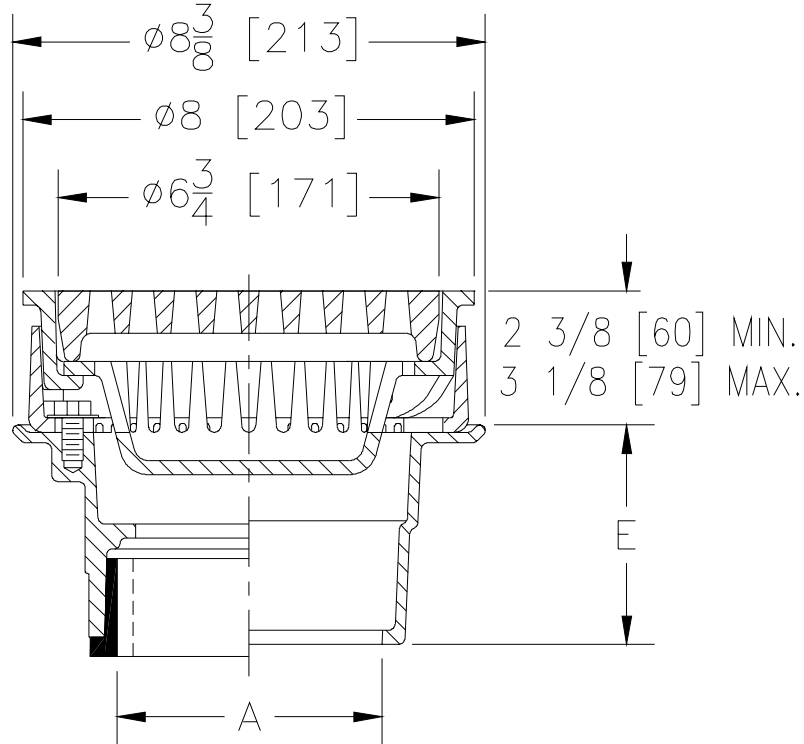
Z556-Y

8 [203] ADJUSTABLE HEAVY DUTY DRAIN W/ SEDIMENT BUCKET

SPECIFICATION SHEET

TAG _____

Dimensional Data (inches and [mm]) are Subject to Manufacturing Tolerances and Change Without Notice



A- Pipe Size In.	Approx. Wt. Lbs. [kg]	Grate Open Area Sq. In. [cm ²]
2-3-4 [50-75-100]	19 [9]	11 [71]

ENGINEERING SPECIFICATION: ZURN Z556-Y

8 [203] Diameter top drain, Dura-Coated cast iron body with bottom outlet and seepage pan, combination membrane flashing clamp/ frame with seepage holes, sediment bucket, adjustable extension frame with heavy duty slotted cast iron grate.

OPTIONS (Check/specify appropriate options)

PIPE SIZE

2, 3, 4 [50, 75, 100]
2, 3, 4 [50, 75, 100]
2, 3, 4 [50, 75, 100]
2, 3, 4 [50, 75, 100]
2, 3, 4 [50, 75, 100]

(Specify size/type) OUTLET

___ IC Inside Caulk
___ IG Inside Caulk w/Sealtrol Gskt.
___ IP Threaded
___ NH No-Hub
___ NL Neo-Loc

'E' BODY HT. DIM.

3 7/8 [98]
3 7/8 [98]
2 5/8 [67]
3 7/8 [98]
4 5/8 [117]

PREFIXES

___ Z D.C.C.I. Body and Top*
___ ZN D.C.C.I. Body with Polished Nickel Bronze Top (Add 3/16 [5] to 2 [51] Dim.)

SUFFIXES

___ -AR Acid Resisting Epoxy Coated Cast Iron
___ -G Galvanized Cast Iron
___ -P Trap Primer Connection
___ -TC Neo-Loc Test Cap Gasket
(2 thru 4 [50 thru 100] NL Bottom Outlet Only)
___ -TS Secured Top with Slotted Screws
___ -V Backwater Valve (See Z1099)
___ -VP Vandal-Proof Secured Top
___ -90 90° Threaded Side Outlet Body
(2 [50] thru 4 [100])

*REGULARLY FURNISHED UNLESS OTHERWISE SPECIFIED

REV.	DATE: 01/05/04	C.N. NO. 91825
DWG. NO. 67607	PRODUCT NO. Z556-Y	