



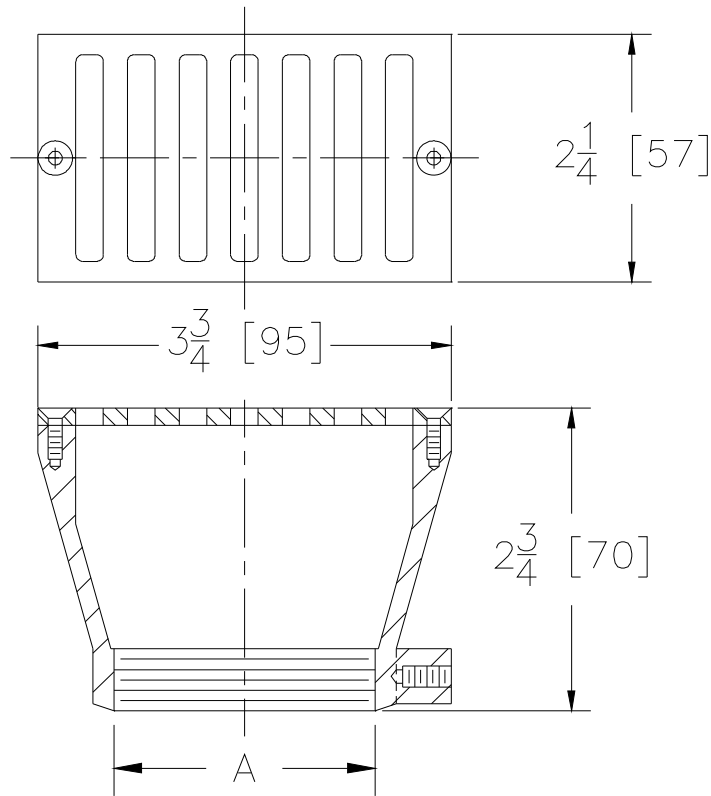
Z572

2-1/4 X 3-3/4 [57 X 95] GUTTER DRAIN

SPECIFICATION SHEET

TAG _____

Dimensional Data (inches and [mm]) are Subject to Manufacturing Tolerances and Change Without Notice



A - Pipe Size In. [mm]	Approx. Wt. Lbs. [kg]	Grate Open Area Sq. In. [cm ²]
2 [51]	2 [1]	3 [19]

ENGINEERING SPECIFICATION: ZURN ZN572 2-1/4 x 3-3/4 [57 x 95] Rectangular top gutter drain, Dura-Coated cast iron body with bottom outlet and polished secured nickel bronze grate.

OPTIONS (Check/specify appropriate options)

PIPE SIZE

2 [51]

(Specify size/type) **OUTLET**

_____ IP Threaded

PREFIXES

- _____ ZB D.C.C.I. Body with Polished Bronze Top
- _____ ZN D.C.C.I. Body with Polished Nickel Bronze Top*

SUFFIXES

- _____ -G Galvanized Cast Iron
- _____ -VP Vandal-Proof Secured Top

REV. D	DATE: 11/10/10	C.N. NO. 120352
DWG. NO. 58953	PRODUCT NO. Z572	

*REGULARLY FURNISHED UNLESS OTHERWISE SPECIFIED