



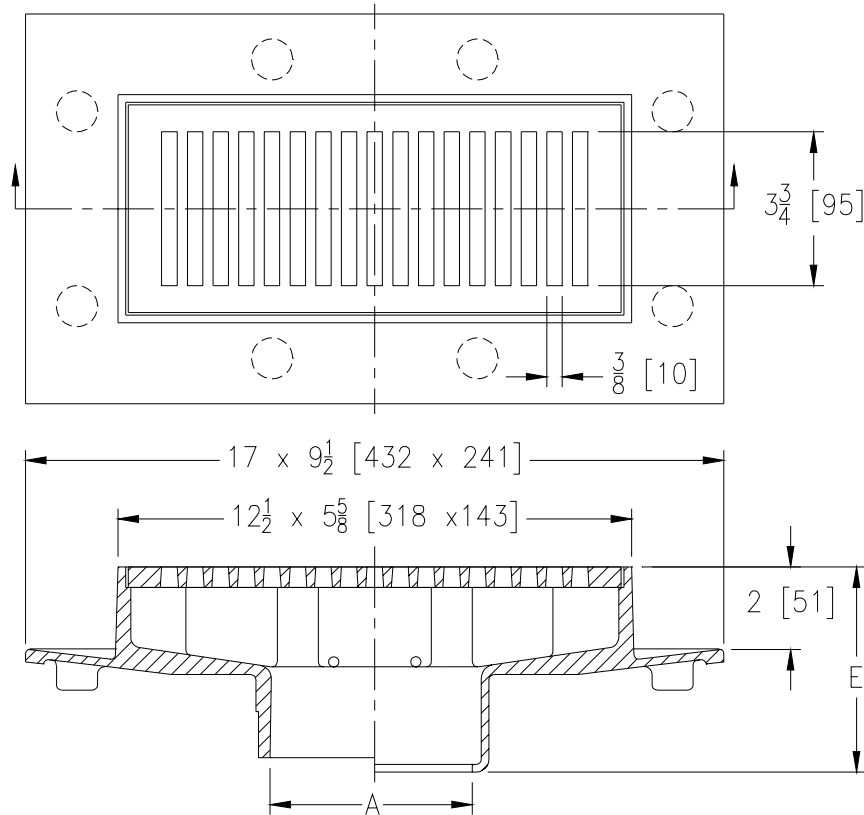
# Z575-K

## 6 x 12 [152 x 305] HEAVY-DUTY GUTTER DRAIN W/ SEEPAGE PAN

SPECIFICATION SHEET

TAG \_\_\_\_\_

Dimensional Data (inches and [ mm ]) are Subject to Manufacturing Tolerances and Change Without Notice



A- Pipe Size In.	Approx. Wt. Lbs.	Grate Open Area Sq. In.
2-3-4 [51-76-102]	20 [9]	24 [155]

### ENGINEERING SPECIFICATION: ZURN Z575-K

6 X 12 [152 x 305] Top gutter drain, Dura-Coated cast iron body with bottom outlet, seepage pan, seepage holes and heavy-duty cast iron anti-tilt slotted grate.

### OPTIONS (Check/specify appropriate options)

#### PIPE SIZE

2-3-4 [51-76-102]  
2-3-4 [51-76-102]  
2-3-4 [51-76-102]  
2-3-4 [51-76-102]  
2-3-4 [51-76-102]

#### (Specify size/type) OUTLET

\_\_\_\_\_ IC Inside Caulk  
\_\_\_\_\_ IG Inside Caulk w/Sealtrol Gskt.  
\_\_\_\_\_ IP Threaded  
\_\_\_\_\_ NH No-Hub (IP w/Z1040)  
\_\_\_\_\_ NL Neo-Loc

#### 'E' BODY HT. DIM.

5 [127]  
5 [127]  
3 5/8 [92]  
-  
4 1/2 [114]

#### PREFIXES

\_\_\_\_\_ Z D.C.C.I. Body and Grate\*  
\_\_\_\_\_ ZB D.C.C.I. Body with Polished Bronze Grate (Add 3/16 [5] to E Dim.)  
\_\_\_\_\_ ZN D.C.C.I. Body with Polished Nickel Bronze Grate (Add 3/16 [5] to E Dim.)

#### SUFFIXES

\_\_\_\_\_ -DG Duresist Grate  
\_\_\_\_\_ -G Galvanized Cast Iron  
\_\_\_\_\_ -KC Seepage Pan with Clamp Collar  
\_\_\_\_\_ -TC Neo-Loc Test Cap Gasket (2 - 4 [51 - 102] NL Bottom Outlet Only)  
\_\_\_\_\_ -TS Top Secured with Slotted Screws  
\_\_\_\_\_ -V Backwater Valve (See Z1099)  
\_\_\_\_\_ -VP Vandal-Proof Secured Top

\*REGULARLY FURNISHED UNLESS OTHERWISE SPECIFIED

REV. DATE: 3/22/04 C.N. NO. 92052

DWG. NO. 67673 PRODUCT NO. Z575-K

ZURN INDUSTRIES, INC. ♦ SPECIFICATION DRAINAGE OPERATION ♦ 1801 Pittsburgh Ave. ♦ Erie, PA 16514

Phone: 814/455-0921 ♦ Fax: 814/454-7929 ♦ World Wide Web: www.zurn.com

In Canada: ZURN INDUSTRIES LIMITED ♦ 3544 Nashua Drive ♦ Mississauga, Ontario L4V1L2 ♦ Phone: 905/405-8272 Fax: 905/405-1292