

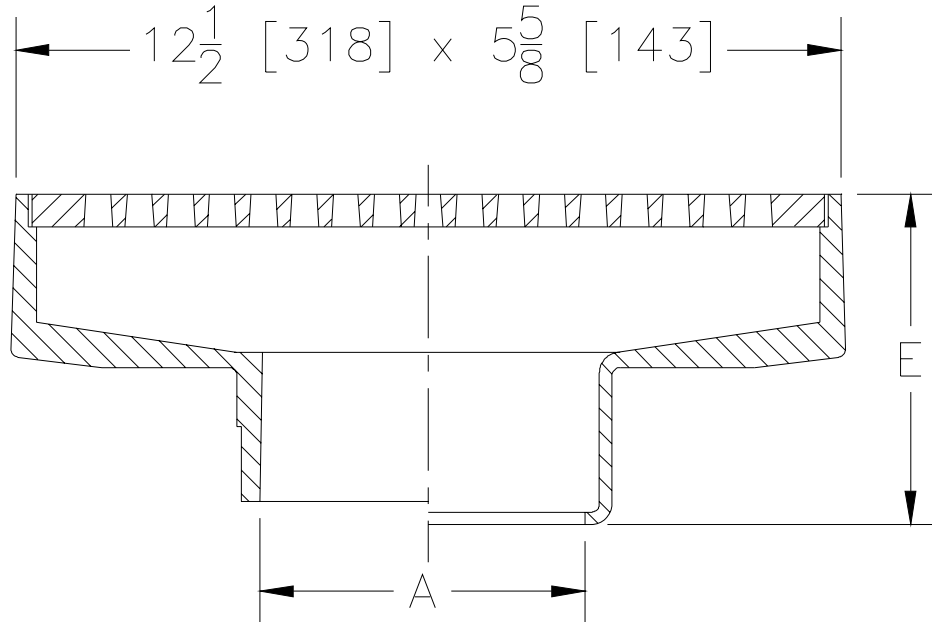


**Z575**  
**6 X 12 [152 X 305]**  
**MEDIUM-DUTY GUTTER DRAIN**

SPECIFICATION SHEET

TAG \_\_\_\_\_

Dimensional Data (inches and [ mm ]) are Subject to Manufacturing Tolerances and Change Without Notice



A - Pipe Size Inches [mm]	Approx. Wt. Lbs. [kg]	Grate Open Area Sq. In. [cm <sup>2</sup> ]
2-3-4 [51-76-102]	18 [8]	24 [155]

**ENGINEERING SPECIFICATION: ZURN Z575**  
 6 x 12 [152 x 305] Top gutter drain, Dura-Coated cast iron body with bottom outlet and medium-duty cast iron anti-tilt slotted grate.

**OPTIONS** (Check/specify appropriate options)

**PIPE SIZE**

- 2, 3, 4 [51, 76, 102]
- 2, 3, 4 [51, 76, 102]
- 2, 3, 4 [51, 76, 102]
- 2, 3, 4 [51, 76, 102]
- 2, 3, 4 [51, 76, 102]

(Specify size/type) **OUTLET**

- \_\_\_ IC Inside Caulk
- \_\_\_ IG Inside Gasket
- \_\_\_ IP Threaded
- \_\_\_ NH No-Hub (IP w/Z1040)
- \_\_\_ NL Neo-Loc

**'E' BODY HT. DIM.**

- 5 [127]
- 5 [127]
- 3-5/8 [92]
- 
- 4-1/2 [114]

**PREFIXES**

- \_\_\_ Z D.C.C.I. Body and Top\*
- \_\_\_ ZB D.C.C.I. Body with Polished Bronze Top (Add 3/16 [5] to E Dim.)
- \_\_\_ ZN D.C.C.I. Body with Polished Nickel Bronze Top (Add 3/16 [5] to E Dim.)

**SUFFIXES**

- \_\_\_ -DG Duresist Grate
- \_\_\_ -G Galvanized Cast Iron
- \_\_\_ -K Seepage Pan
- \_\_\_ -KC Seepage Pan With Clamp Collar
- \_\_\_ -TC Neo-Loc Test Cap Gasket  
(2 [51] - 4 [102] NL Bottom Outlet Only)
- \_\_\_ -TS Top Secured With Slotted Screws
- \_\_\_ -V Backwater Valve (See Z1099)
- \_\_\_ -VP Vandal-Proof Secured Top

<b>REV. D</b>	<b>DATE: 11/10/10</b>	<b>C.N. NO. 120355</b>
<b>DWG. NO. 58956</b>		<b>PRODUCT NO. Z575</b>

\*REGULARLY FURNISHED UNLESS OTHERWISE SPECIFIED