



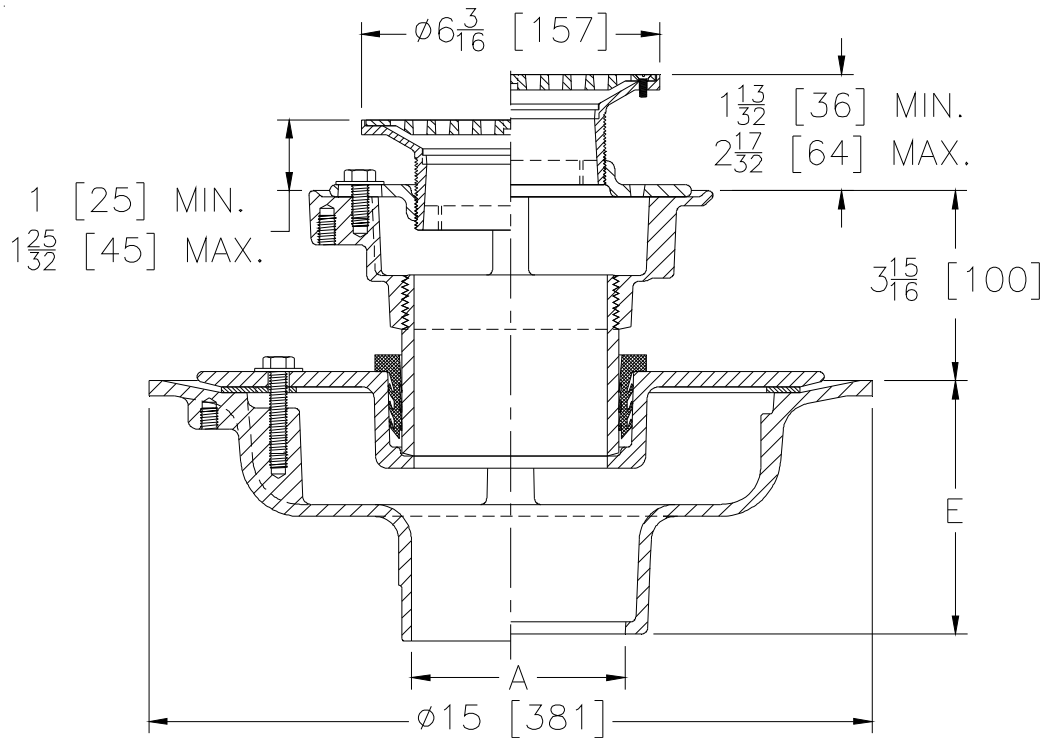
Z625

ISOLATION DECK ADJUSTABLE DRAIN

SPECIFICATION SHEET

TAG _____

Dimensional Data (inches and [mm]) are Subject to Manufacturing Tolerances and Change Without Notice



A Pipe Size	Approx. Wt. Lbs. [kg]	Grate Open Area Sq. In. [cm ²]
2-3-4 [51-76-102]	42 [19]	9 [58]
5-6 [127-152]		

ENGINEERING SPECIFICATION: ZURN ZN625

Adjustable isolation deck drain, Dura-Coated cast iron upper and lower bodies, upper and lower clamp collars, neoprene flex gasket, isolation nipple and adjustable 6 [152] diameter nickel bronze strainer.

OPTIONS (Check/specify appropriate options)

PIPE SIZE

- 2-3-4-5-6 [51-76-102-127-152]
- 2-3-4-6 [51-76-102-152]
- 2-3-4-5-6 [51-76-102-127-152]
- 2-3-4-5-6 [51-76-102-127-152]
- 2-3-4 [51-76-102]

(Specify size/type) **OUTLET**

- ___ IC Inside Caulk
- ___ IG Inside Gasket
- ___ IP Threaded
- ___ NH No-Hub
- ___ NL Neo-Loc

'E' BODY HT. DIM.

- 5-1/4 [133]
- 5-1/4 [133]
- 3-3/4 [95]
- 5-1/4 [133]
- 4-5/8 [117]

PREFIXES

- ___ ZB D.C.C.I Body w/ Polished Bronze Top
- ___ ZN D.C.C.I Body w/ Polished Nickel Bronze Top*

SUFFIXES

- ___ -C Underdeck Clamp (Lower Body)
- ___ -G Galvanized Cast Iron
- ___ -PC Protective Cover
- ___ -R Sump Receiver (Lower Body)
- ___ -U 3 [76] High Extension Adapter (Upper Body)
- ___ -VP Vandal-Proof Secured Top
- ___ -Y Sediment Bucket (Upper Body)

* Regularly furnished unless otherwise specified.