

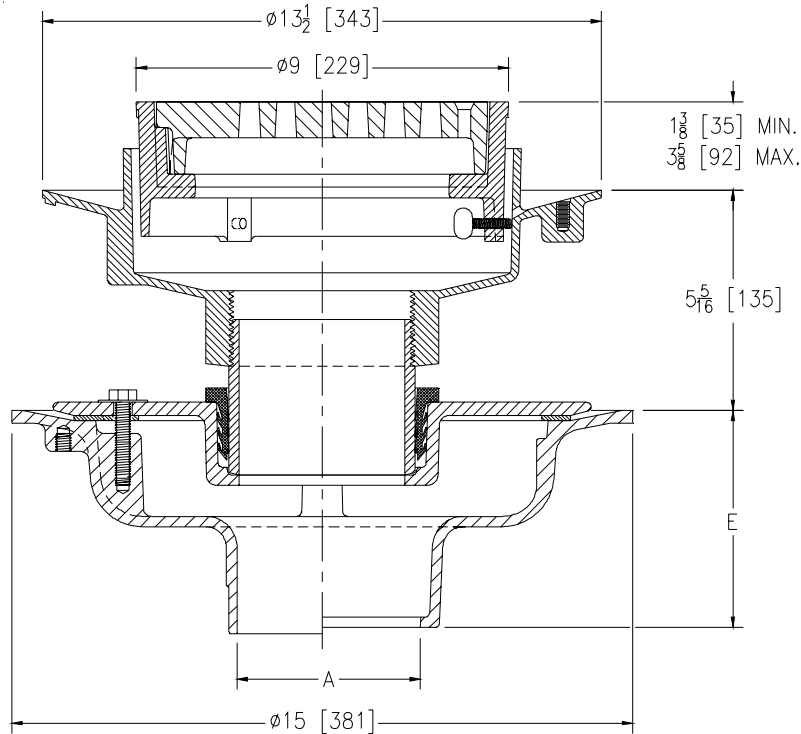


# Z627

## ISOLATION DECK ADJUSTABLE HEAVY-DUTY DRAIN

TAG \_\_\_\_\_

Dimensional Data (inches and [ mm ]) are Subject to Manufacturing Tolerances and Change Without Notice



A Pipe Size	Approx. Wt. Lbs. [kg]	Grate Open Area Sq. In. [cm <sup>2</sup> ]
2, 3, 4 [51, 76, 102]	65 [29]	18 [116]
5, 6 [127, 152]		

**ENGINEERING SPECIFICATION: ZURN Z627**

Adjustable isolation deck drain, Dura-Coated cast iron upper and lower bodies, clamp collar, neoprene flex gasket, isolation nipple and 8 [203] diameter round heavy-duty grate.

**OPTIONS** (Check/specify appropriate options)

**PIPE SIZE**

- 2 thru 6 [51 thru 152]
- 2 thru 4, 6 [51 thru 102, 152]
- 2 thru 6 [51 thru 152]
- 2 thru 6 [51 thru 152]
- 2 thru 4 [51 thru 102]

(Specify size/type) **OUTLET**

- \_\_\_ IC Inside Caulk
- \_\_\_ IG Inside Gasket
- \_\_\_ IP Threaded
- \_\_\_ NH No-Hub
- \_\_\_ NL Neo-Loc

**'E' BODY HT. DIM.**

- 5-1/4 [133]
- 5-1/4 [133]
- 3-3/4 [95]
- 5-1/4 [133]
- 4-5/8 [117]

**PREFIXES**

- \_\_\_ Z D.C.C.I. Body and Top\*
- \_\_\_ ZB D.C.C.I Body w/Polished Bronze Top (Add 3/16 [5] to 1-3/8 [35] - 3-5/8 [92] dim. & 3/4 [19] to 9 [229] dim.)
- \_\_\_ ZN D.C.C.I Body w/Polished Nickel Bronze Top (Add 3/16 [5] to 1-3/8 [35] - 3-5/8 [92] dim. & 3/4 [19] to 9 [229] dim.)

**SUFFIXES**

- \_\_\_ -C Underdeck Clamp (Lower Body)
- \_\_\_ -CC Clamp Collar (Upper Body)
- \_\_\_ -DG Duresist Grate
- \_\_\_ -F Extension
- \_\_\_ -G Galvanized Cast Iron
- \_\_\_ -R Sump Receiver (Lower Body)
- \_\_\_ -SC Solid Cover
- \_\_\_ -TS Top Secured with Slotted Screws
- \_\_\_ -VP Vandal-Proof Secured Top
- \_\_\_ -Y Sediment Bucket

REV. F	DATE: 07/29/11	C.N. NO. 121736
DWG. NO. 59245	PRODUCT NO. Z627	

\*REGULARLY FURNISHED UNLESS OTHERWISE SPECIFIED