



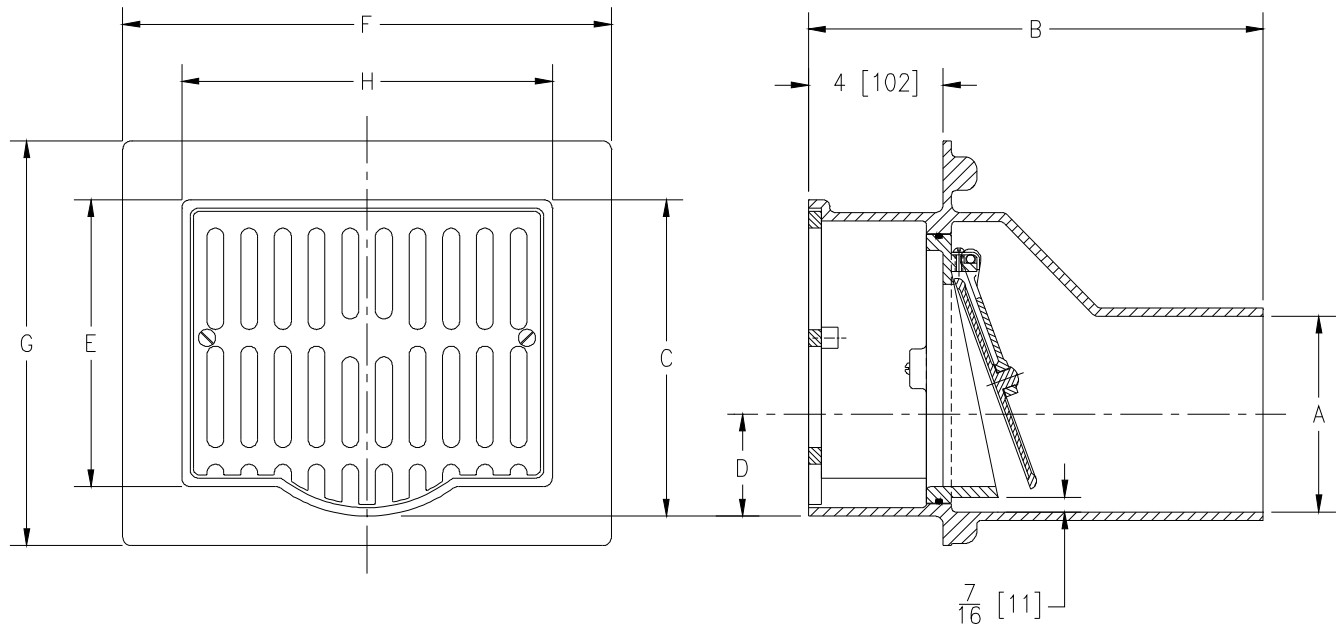
# Z629

## VERTICAL WALL DRAIN WITH BACKWATER VALVE

SPECIFICATION SHEET

TAG \_\_\_\_\_

Dimensional Data (inches and [ mm ]) are Subject to Manufacturing Tolerances and Change Without Notice



| A<br>Pipe<br>Size | Dimensions In Inches |             |            |             |              |          |             | Approx.<br>Wt. Lbs.<br>[kg] | Grate Open<br>Area Sq. In.<br>[cm <sup>2</sup> ] |
|-------------------|----------------------|-------------|------------|-------------|--------------|----------|-------------|-----------------------------|--------------------------------------------------|
|                   | B                    | C           | D          | E           | F            | G        | H           |                             |                                                  |
| 3 [76]            | 13 [330]             | 7-5/8 [194] | 1-1/2 [38] | 6-7/8 [175] | 12-3/4 [324] | 11 [279] | 9-1/4 [235] | 47 [21]                     | 20 [129]                                         |
| 4 [102]           |                      |             | 2 [51]     |             |              |          |             |                             |                                                  |
| 6 [152]           | 13-1/2 [343]         | 9-3/8 [238] | 3-1/8 [79] | 8-1/2 [216] | 14-1/2 [368] | 12 [305] | 11 [279]    | 58 [26]                     | 33 [213]                                         |

**ENGINEERING SPECIFICATION: ZURN Z629**

Vertical wall drain, Dura-Coated cast iron body, bronze valve assembly and secured slotted grate.

**OPTIONS** (Check/specify appropriate options)

**PIPE SIZE**

3, 4, 6 [76, 102, 152]

(Specify size/type) **OUTLET**

\_\_\_\_\_ NH No-Hub

**PREFIXES**

- \_\_\_\_\_ Z D.C.C.I. Body with Aluminum Grate\*
- \_\_\_\_\_ ZB D.C.C.I. Body with Polished Bronze Grate
- \_\_\_\_\_ ZN D.C.C.I. Body with Polished Nickel Bronze Grate

**SUFFIXES**

- \_\_\_\_\_ -C Clamping Collar
- \_\_\_\_\_ -G Galvanized Cast Iron
- \_\_\_\_\_ -LV (Less) Backwater Valve
- \_\_\_\_\_ -VP Vandal-Proof Secured Top

|                |                  |                 |
|----------------|------------------|-----------------|
| REV. E         | DATE: 11/8/10    | C.N. NO. 120326 |
| DWG. NO. 59246 | PRODUCT NO. Z629 |                 |

\*REGULARLY FURNISHED UNLESS OTHERWISE SPECIFIED

ZURN INDUSTRIES, LLC. ♦ SPECIFICATION DRAINAGE OPERATION ♦ 1801 Pittsburgh Ave. ♦ Erie, PA 16514

Phone: 814/455-0921 ♦ Fax: 814/454-7929 ♦ World Wide Web: www.zurn.com

In Canada: ZURN INDUSTRIES LIMITED ♦ 3544 Nashua Drive ♦ Mississauga, Ontario L4V1L2 ♦ Phone: 905/405-8272 Fax: 905/405-1292