

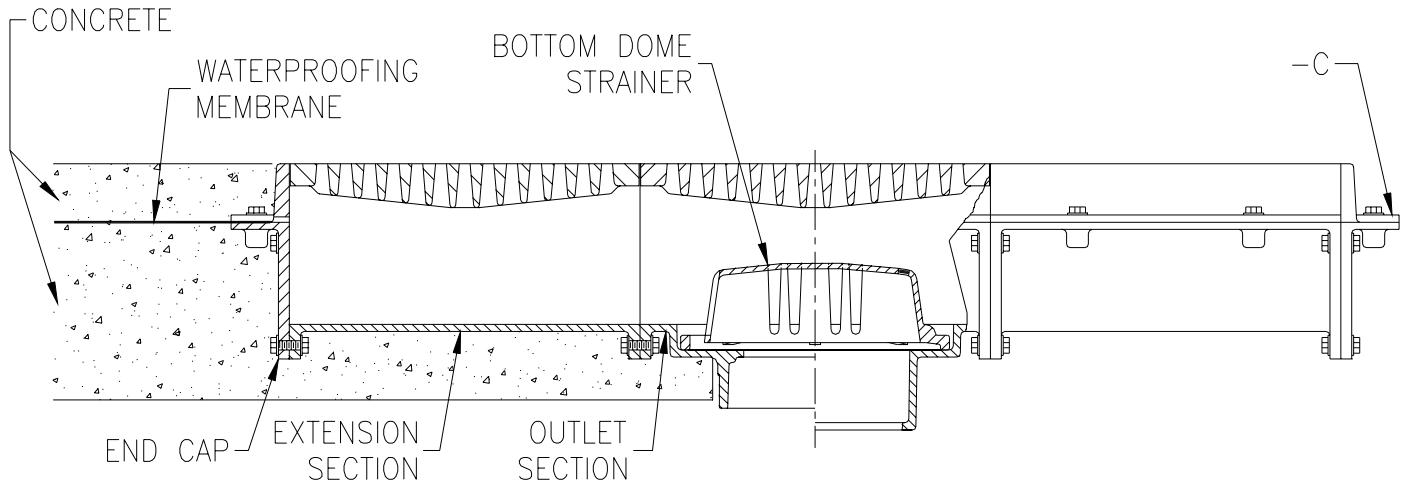


INSTALLATION INSTRUCTIONS

Z-665-C

MODULAR TRENCH DRAIN

Dimensional Data (inches and [mm]) are Subject to Manufacturing Tolerances and Change Without Notice



Z-665-C

MODULAR TRENCH DRAIN

Extra heavy duty modular trench drain is illustrated in an above grade application, with secondary strainer and clamping collar (-C). This drain is used in areas where single drainage units are not practical. For example, where inclined or sloped surfaces require drainage across a wide area. The Z-665 is also suited for vehicular traffic applications, and grating may be ordered in ductile iron when greater load requirements are desired. Outlet and extensions modules should be ordered in 12 [305] increments, and it is advisable that one outlet be used for each 8 foot [2438] section of drain.

INSTRUCTIONS

1. For on grade applications drain is to be set in place and supported at the proper elevation by gravel or other suitable material so that the concrete pour will not cause the drain to move.
2. When long runs are required it is recommended that most joints be made before setting the drain.
3. The pipe is then attached to the drain by any one of the four connections offered by Zurn. (See page VI of the ZURN 799 Catalog for outlet connections).
4. For above grade applications, the structural pour is made, followed by a waterproofing membrane (when required). The membrane should be secured to the pan by use of a clamping collar. The floor is then finished flush with the top of the drain.

Form # FD16

Date: 8/5/99

C.N. No. 83045

Rev.

ZURN INDUSTRIES, INC. ♦ SPECIFICATION DRAINAGE OPERATION ♦ 1801 Pittsburgh Ave. ♦ Erie, PA 16514

Phone: 814/455-0921 ♦ Fax: 814/454-7929 ♦ World Wide Web: www.zurn.com

In Canada: ZURN INDUSTRIES LIMITED ♦ 3544 Nashua Drive ♦ Mississauga, Ontario L4V1L2 ♦ Phone: 905/405-8272 Fax: 905/405-1292