



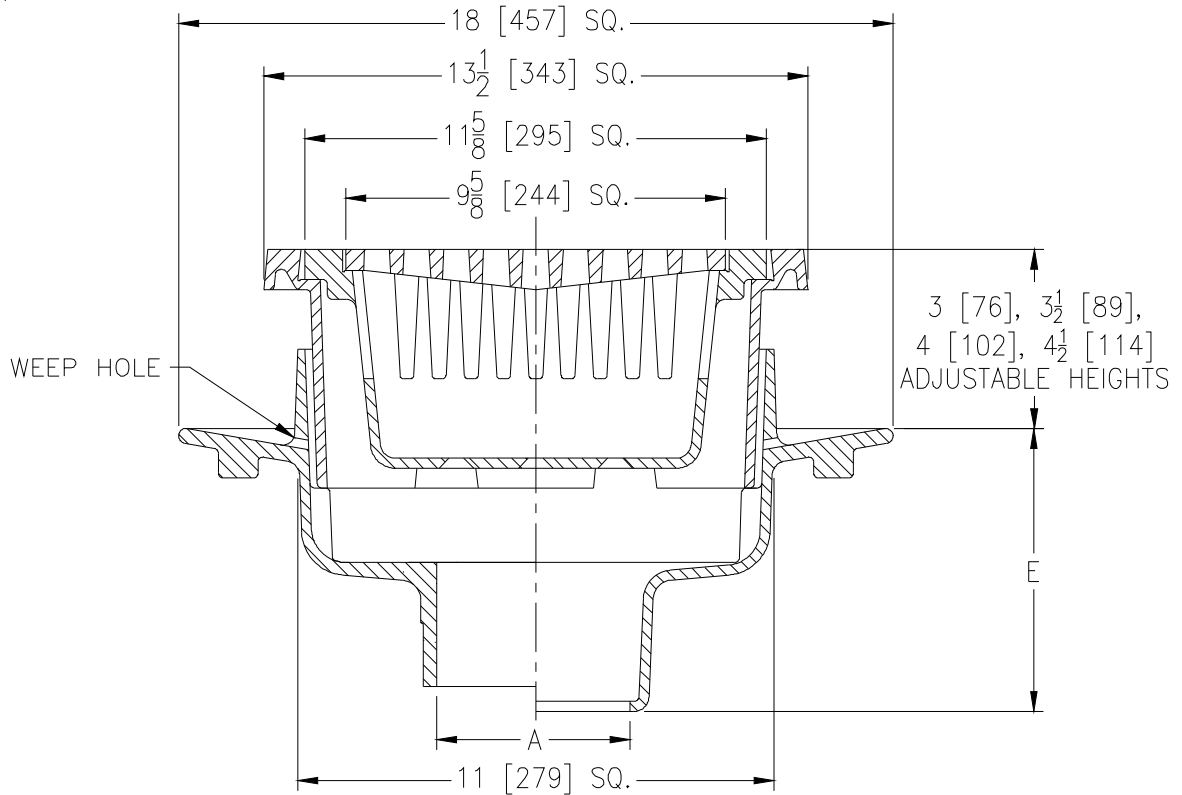
Z675

13 [330] SQ. EXTRA HEAVY-DUTY DRAIN

SPECIFICATION SHEET

TAG _____

Dimensional Data (inches and [mm]) are Subject to Manufacturing Tolerances and Change Without Notice



A Pipe Size	Approx. Wt. Lbs. [kg]	Grate Open Area Sq. In. [cm ²]
3-4-6 [76-102-152]	110 [50]	72 [465]

ENGINEERING SPECIFICATION: ZURN Z675

13 [330] Square top drain, Dura-Coated cast iron body with bottom outlet, seepage pan and vertically adjustable four position frame for Duresist extra heavy-duty loose slotted grate with suspended sediment bucket.

OPTIONS (Check/specify appropriate options)

PIPE SIZE

- 3-4-6 [76-102-152]
- 3-4-6 [76-102-152]
- 3-4-6 [76-102-152]
- 3-4-6 [76-102-152]
- 3-4 [76-102]

(Specify size/type) **OUTLET**

- _____ IC Inside Caulk
- _____ IG Inside Gasket
- _____ IP Threaded
- _____ NH No-Hub (IP w/ Z1040)
- _____ NL Neo-Loc

'E' BODY HT. DIM.

- 7-1/8 [181]
- 7-1/8 [181]
- 7-1/8 [181]
-
- 7-5/8 [194]

PREFIXES

- _____ Z D.C.C.I. Body and Duresist Top*

SUFFIXES

- _____ -AR Acid Resisting Epoxy Coated Cast Iron
- _____ -C Clamp Collar
- _____ -G Galvanized Cast Iron
- _____ -S Secondary Strainer
- _____ -TS Top Secured with Slotted Screws
- _____ -VP Vandal-Proof Secured Top

* Regularly furnished unless otherwise specified.