



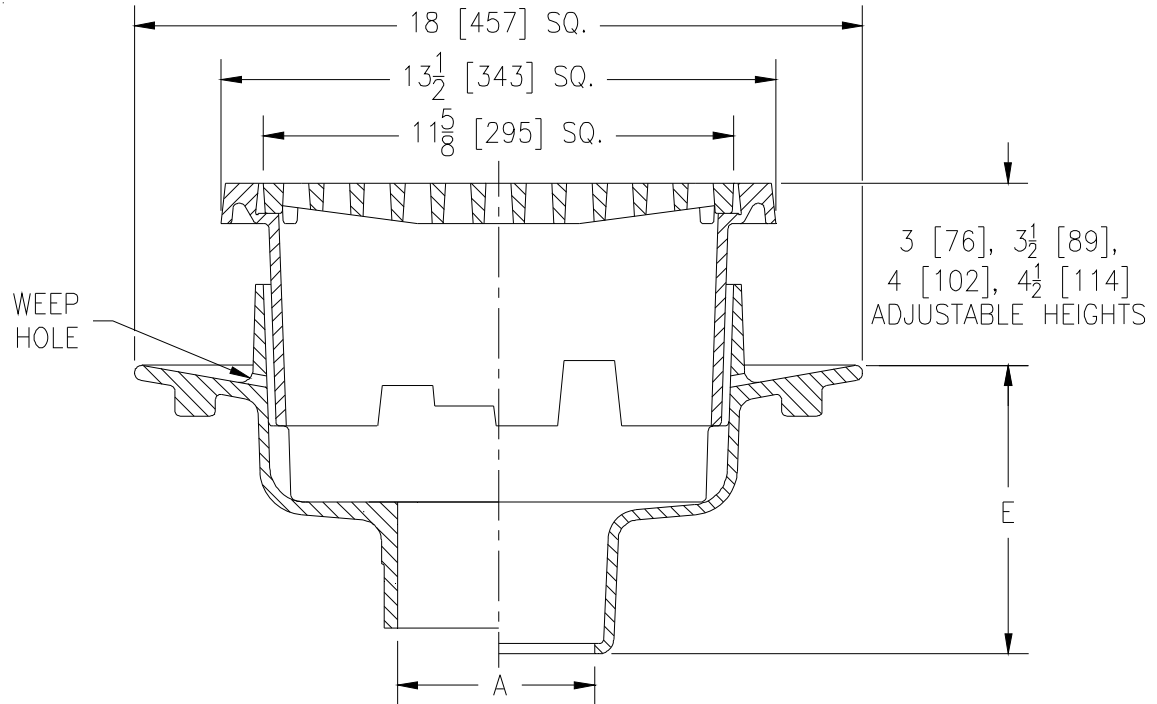
**Z676**

**13 [330] SQ. EXTRA HEAVY-DUTY DRAIN**

**SPECIFICATION SHEET**

**TAG \_\_\_\_\_**

Dimensional Data (inches and [ mm ]) are Subject to Manufacturing Tolerances and Change Without Notice



| A<br>Pipe Size     | Approx.<br>Wt. Lbs.<br>[kg] | Grate Open<br>Area Sq. In.<br>[cm <sup>2</sup> ] |
|--------------------|-----------------------------|--|
| 3-4-6 [76-102-152] | 95 [43]                     | 72 [465]   |

**ENGINEERING SPECIFICATION: ZURN Z676**

13 [330] Square top drain, Dura-Coated cast iron body with bottom outlet, seepage pan and vertically adjustable four position frame for Duresist extra heavy-duty loose slotted grate.

**OPTIONS** (Check/specify appropriate options)

**PIPE SIZE**

- 3-4-6 [76-102-152]
- 3-4-6 [76-102-152]
- 3-4-6 [76-102-152]
- 3-4-6 [76-102-152]
- 3-4 [76-102]

(Specify size/type) **OUTLET**

- \_\_\_\_\_ IC Inside Caulk
- \_\_\_\_\_ IG Inside Gasket
- \_\_\_\_\_ IP Threaded
- \_\_\_\_\_ NH No-Hub (IP w/ Z1040)
- \_\_\_\_\_ NL Neo-Loc

**'E' BODY HT. DIM.**

- 7-1/8 [181]
- 7-1/8 [181]
- 7-1/8 [181]
- 
- 7-5/8 [194]

**PREFIXES**

- \_\_\_\_\_ Z D.C.C.I. Body and Top\*
- \_\_\_\_\_ ZB D.C.C.I Body w/ Polished Bronze Top (Add 3/4 [19] to 13-1/2 [343] Dim. and 3/16 [5] to 'E' Dim.)
- \_\_\_\_\_ ZN D.C.C.I Body w/ Polished Nickel Bronze Top (Add 3/4 [19] to 13-1/2 [343] Dim. and 3/16 [5] to 'E' Dim.)

**SUFFIXES**

- \_\_\_\_\_ -AR Acid Resisting Epoxy Coated Cast Iron
- \_\_\_\_\_ -C Clamp Collar
- \_\_\_\_\_ -G Galvanized Cast Iron
- \_\_\_\_\_ -S Secondary Strainer
- \_\_\_\_\_ -TS Top Secured With Slotted Screws
- \_\_\_\_\_ -VP Vandal-Proof Secured Top
- \_\_\_\_\_ -Y Sediment Bucket

\* Regularly furnished unless otherwise specified.