



4" CENTERSET GOOSENECK

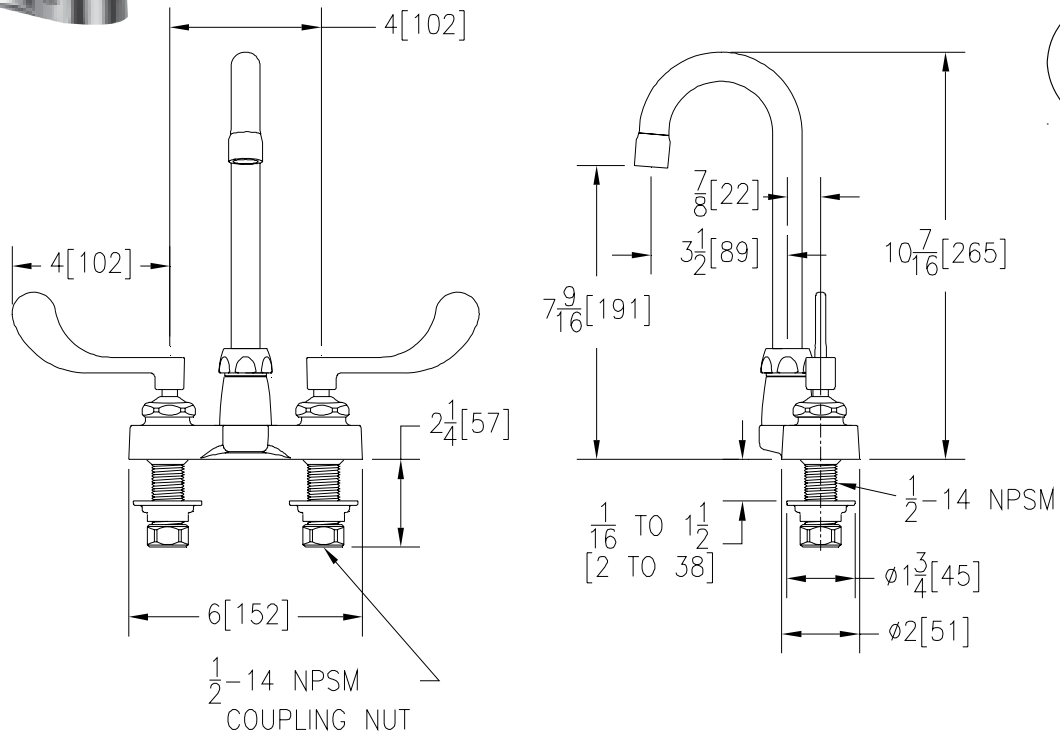
Z812A4

TAG _____



Engineering Specifications: Zurn AquaSpec® Z812A4

Polished chrome-plated cast brass faucet body with integral shanks, quarter turn ceramic disc cartridges and a 3-1/2" [89mm] centerline rigid or swing gooseneck spout. Unit is furnished with a 2.2 GPM [8.3 L] pressure compensating aerator (complying with ANSI A112.18.1 Standard for flow), 4" [102mm] vandal-resistant color-coded metal wrist blade handles, mounting hardware and 1/2" NPSM coupling nuts for standard lavatory risers.



Note: All dimensions are for reference only. Do not use for pre-plumbing

OPTIONAL ACCESSORIES

| Suffix | Description |
|---------|---|
| ___-FC | 2.0 GPM [7.6 L] Laminar Flow Control in Base of Spout |
| ___-G | 1-1/4" [32mm] Grid Strainer Drain |
| ___-GH | 1-1/4" [32mm] Offset Handicap Grid Drain |
| ___-HCT | Hot/Cold Text Indexes |
| ___-P | 1-1/4" [32mm] Pop-up Drain |
| ___-PT | 1-1/4" [32mm] Cast Brass P-Trap with a 7-1/2" [191mm] Long 17-Gauge Wall Bend |
| ___-2F | 2.2 GPM [8.3 L] Vandal-Resistant Pressure Compensating Female Aerator |
| ___-3F | 0.5 GPM [1.9 L] Vandal-Resistant Pressure Compensating Female Aerator |
| ___-4F | 2.2 GPM [8.3 L] Vandal-Resistant Pressure Compensating Female Laminar Flow |
| ___-5F | 2.0 GPM [7.6 L] Female Spray Outlet |
| ___-7F | 1.0 GPM [3.8 L] Pressure Compensating Female Spray Outlet |
| ___-14F | 2.2 GPM [8.3 L] Pressure Compensating Laminar Flow Female Outlet |
| ___-16F | 1.0 GPM [3.8 L] Vandal-Resistant Pressure Compensating Female Spray Outlet |
| ___-17F | 1.5 GPM [5.7 L] Vandal-Resistant Pressure Compensating Female Aerator |
| ___-18F | 1.5 GPM [5.7 L] Vandal-Resistant Pressure Compensating Female Laminar Flow |

ZURN INDUSTRIES, INC. ♦ COMMERCIAL BRASS OPERATION ♦ 2640 SOUTH WORK STREET ♦ FALCONER NY 14733

Phone: 1-716-665-1132 ♦ Fax: 1-716-665-1135 ♦ World Wide Web: www.zurn.com

In Canada: ZURN INDUSTRIES LIMITED ♦ 3544 Nashua Drive ♦ Mississauga, Ontario L4V1L2 ♦ Phone: 905/405-8272 Fax: 905/405-1292